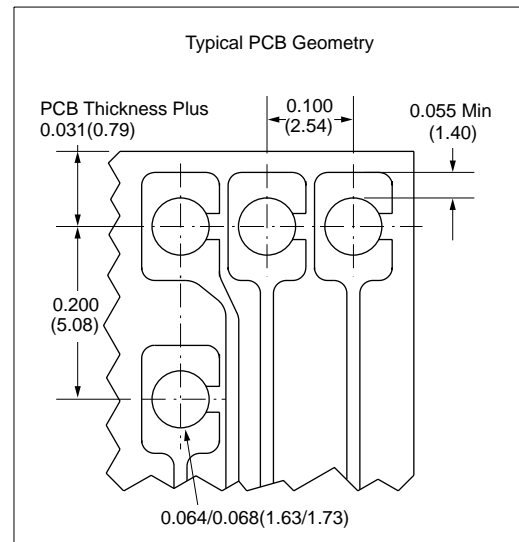
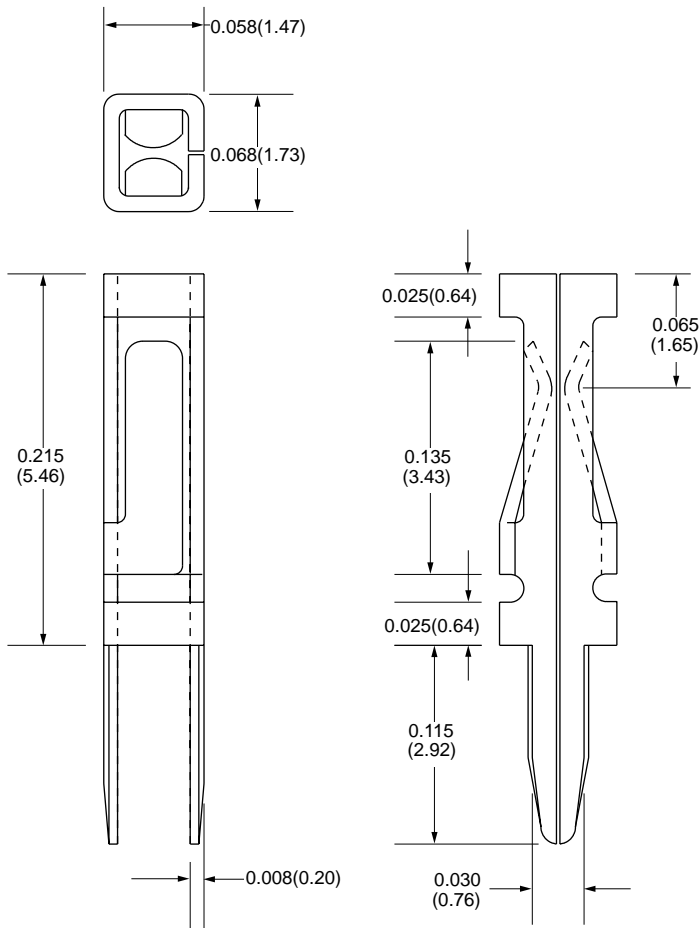


0.025" (0.64mm) Accu-Pak™ Receptacles - Bottom Entry

Loose Part No.	Reeled Part No.	Mating Terminal Size
1100-6	6100-6	0.025" (0.64mm) Rd. or Sq.
Application Data		
Mounting Type	Outward Splay	Mating Type Vertical
Material Thickness/Type	0.008" (0.20mm) Phosphor Bronze	Mating Entry Bottom
Standard Finish	Loose: 95/5 Matt Tin/Lead over Copper Reeled: 95/5 Matt Tin/Lead over Copper	Applicator System Loose: Consult factory Reeled: Model 9700, 9718
Performance Data		
Current Rating	3 Ampere	Insertion Force-Max. Application Dependent /Submit Mating Terminal Sample To Factory
Resistance Rating	1mΩ Max	Withdrawal Force-Min. Application Dependent /Submit Mating Terminal Sample To Factory
Temperature Rating	-65° to 105°C	



For exact finish specifications and available special finishes, see Finish Table (page 91).