

8 (.315) Type Series Terminals

Series 8 terminals are well-known for having become the standard a few years ago for making so-called "European headlight" connections using flag terminals.

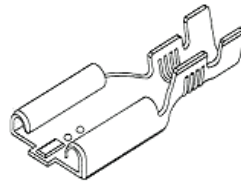
They are still used currently for certain applications, through flag terminals or receptacle terminals.

All the terminals in this series correspond to the UP-STA range.

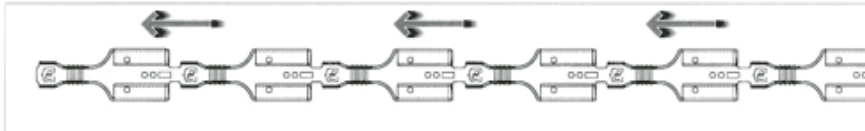
RECEPTACLES / RECEPTACLES FOR CONNECTORS

UP-STA

Both receptacles are available with the same characteristics in standard version or version for connectors.



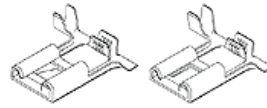
Wire size mm ² (AWG)	0,5-1 (20-18)
Material thickness	0,4 mm
For tab	7,7 x 0,8 mm
Materials	Base: brass - Finish: Nat, Sn
	Base: bronze - Finish: Nat, Sn



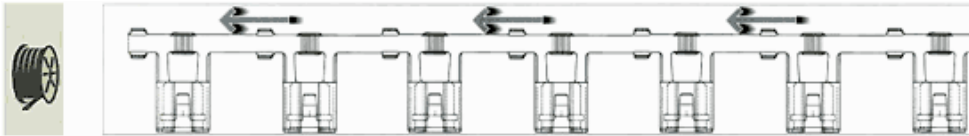
FLAGS

UP-STA

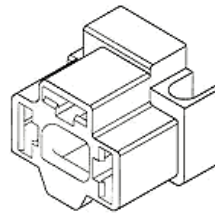
There are two standard flags for headlight connection that differ only in the mount zones.



Wire size mm ² (AWG)	0,75-1,5 (18-16)
	1-2,5 (18-14)
Material thickness	0,4 mm / 0,45 mm
For tab	7,9 x 0,75 mm
Materials	Base: brass - Finish: Nat, Sn
	Base: bronze - Finish: Nat, Sn



Connector 2805310 is available for the flags in this series.



01. RECEPTACLES / RECEPTALES FOR CONNECTOR

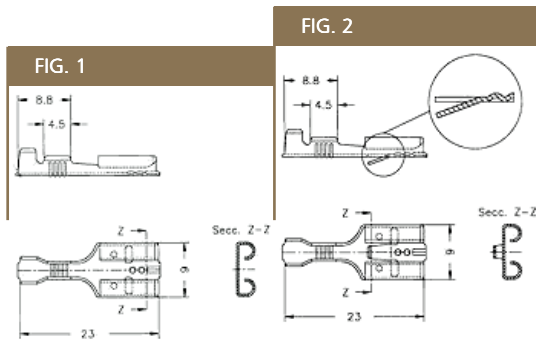
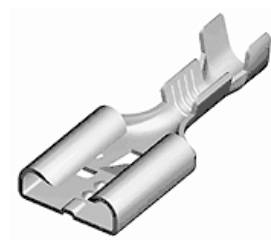


FIGURE	WIRE SIZE mm ² (AWG)	Ø INSULATION mm	TAB THICKNESS mm	STRIP FORM		MATERIAL	TREATMENT	MATERIAL WIDTH mm	PARTS COIL
				BASE	EXTENSION				
1	0,5-1 (20-18)	1,8-3,3	7,7x0,8	4460.	00	BRASS	-	0,4	5500
					02		SN		
					30	BRONZE	-		
					32		SN		
2				4360.	00	BRASS	-		5000
					02		SN		
					30	BRONZE	-		
					32		SN		

8 (.315) Type Series Terminals

02. FLAGS FOR CONNECTOR

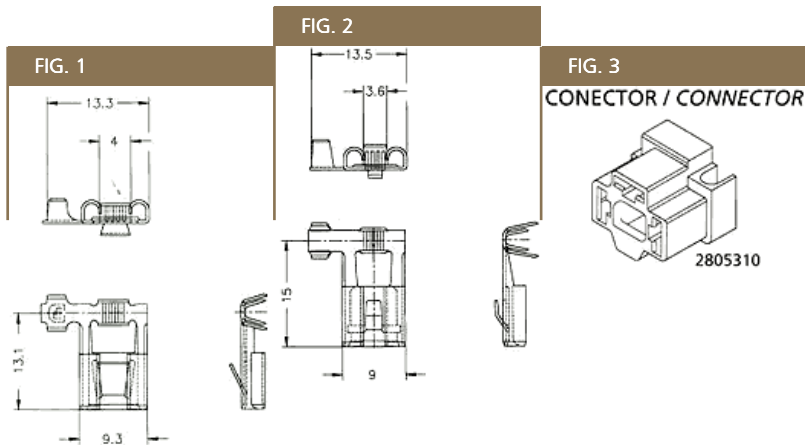


FIGURE	WIRE SIZE mm ² (AWG)	Ø INSULATION mm	TAB THICKNESS mm	DIN	STRIP FORM		MATERIAL	TREATMENT	MATERIAL WIDTH mm	PARTS COIL	
					BASE	EXTENSION					
1	0,75-1,5 (18-16)	1,7-2,4	7,9x0,75	Esp	5360.	10	BRASS	-	0,45	3000	
						12		SN			
						30	BRONZE	-			
						32		SN			
	1-2,5 (18-14)	3-4,3			-	5362.	10	BRASS			-
							12				SN
							30	BRONZE			-
							32				SN
2	-	-	46340	5364.	00	BRASS	-	0,4	3500		
					02		SN				
					30	BRONZE	-				
					32		SN				