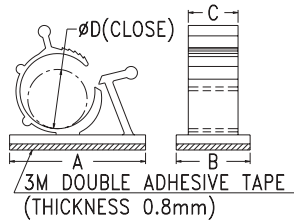


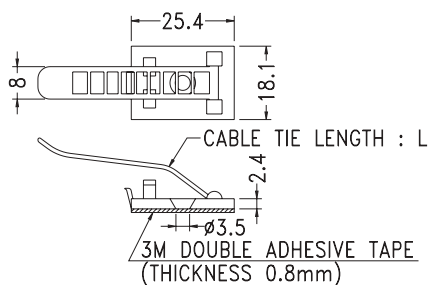
## Adjustable Wire Clamp 15.AWC~



- Material: Nylon 66 (UL)
- Flame Class: 94V-2
- Color: Natural/Black
- Unit: mm

Part	A	B	C	D	Pack Size
AWC-1	24.8	18.8	10.2	7.9 ~ 10.3	250
AWC-2	25.4	15.0	10.2	11.9 ~ 14.3	250
AWC-2A	30.2	15.0	10.0	11.9 ~ 14.3	250
AWC-3	34.4	18.8	12.7	14.7 ~ 19.1	100
AWC-4	36.0	19.0	12.7	18.0 ~ 22.0	100
AWC-5	39.8	19.8	13.0	22.0 ~ 26.5	100

## Adjustable Wire Clamp 15.CL~



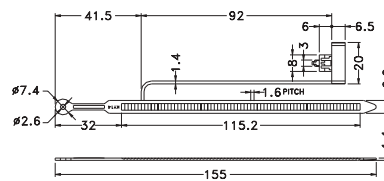
- Material: Nylon 66 (UL)
- Flame Class: 94V-2
- Color: Natural
- Unit: mm

Part	L	Pack Size
CL-1	64.2	200
CL-2	85.0	200

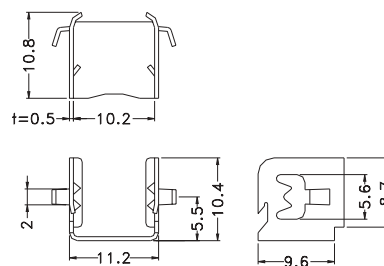
## A.G.P. Card Holder 15.AGP~



- Material: Nylon 66 (UL)
- Flame Class: 94V-2
- Color: Natural
- Unit: mm

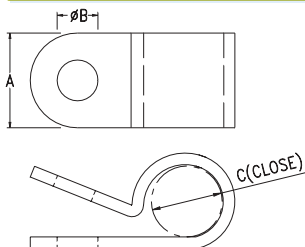


Part  
AGP-1A



Part  
AGP-1B

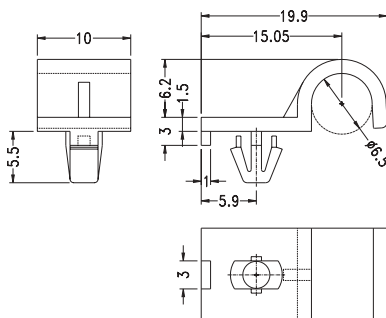
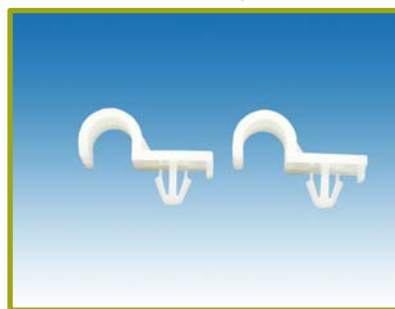
## Cable Clamp 15.CC~



- Material: Nylon 66 (UL)
- Flame Class: 94V-2
- Color: Natural/Black
- Unit: mm

Part	A	B	C		Pack Size
			mm	inch	
CC-1SS	6.5	3.8	3.0	1/8	1000
CC-1S	9.2	5.4	3.0	1/8	1000
CC-1	13.2	5.4	3.0	1/8	1000
CC-2	9.7	5.4	4.5	3/16	1000
CC-3	9.5	4.8	6.2	1/4	1000
CC-4	9.5	4.8	7.6	5/16	1000
CC-5	9.5	4.8	9.0	3/8	1000
CC-5L	12.3	5.4	9.0	3/8	500
CC-6	12.7	4.8	11.5	1/2	500
CC-7	12.9	5.4	12.8	9/16	500
CC-7S	12.9	4.8	15.5	5/8	200
CC-8	12.9	5.4	17.0	3/4	200
CC-9	12.9	5.4	20.0	7/8	100
CC-10	12.9	5.4	24 ~ 27	1 - 1/8	100

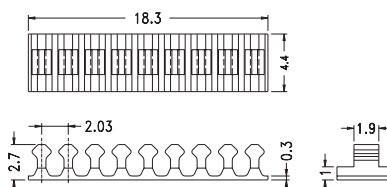
## Cable Clamp 15.CLH-6



- Material: Nylon 66 (UL)
- Flame Class: 94V-2
- Color: Natural
- Unit: mm

Part	Pack Size
CLH-6	500

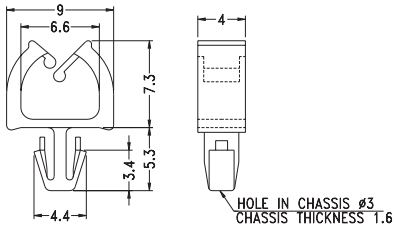
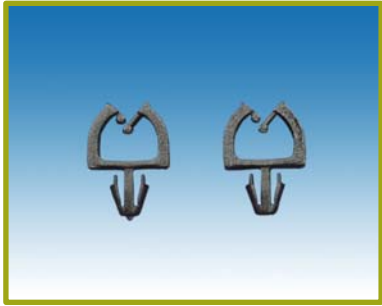
## Cable Clamp 15.MU-01-8NT



- Material: Nylon 66 (UL)
- Flame Class: 94V-2
- Color: Natural
- Unit: mm

Part	Pack Size
MU-01-8NT	500

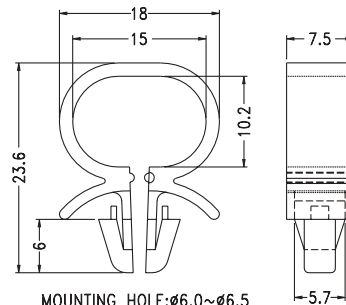
## Cable Clamp 15.MWS-10



- Material: Nylon 66 (UL)
- Flame Class: 94V-2
- Color: Natural
- Unit: mm

Part	Pack Size
MWS-10	1000

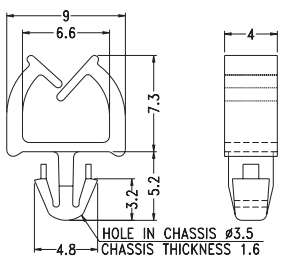
## Cable Clamp 15.OCCB-15



- Material: Nylon 66 (UL)
- Flame Class: 94V-2
- Color: Black
- Unit: mm

Part	Pack Size
OCCB-15	500

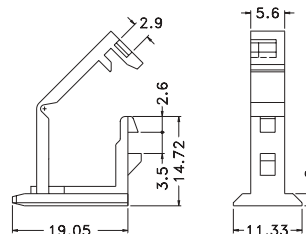
## Cable Clamp 15.MWS-11



- Material: Nylon 66 (UL)
- Flame Class: 94V-2
- Color: Natural
- Unit: mm

Part	Pack Size
MWS-11	1000

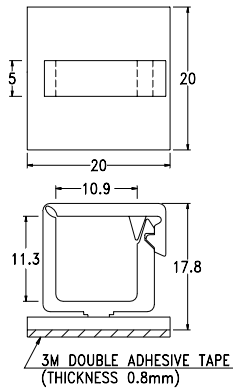
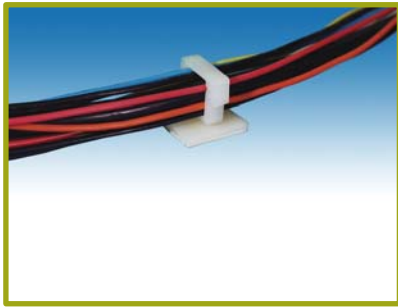
## Cable Clamp 15.WLF-1



- Material: Nylon 66 (UL)
- Flame Class: 94V-2
- Color: Natural
- Unit: mm

Part	Pack Size
WLF-1	500

## Cable Clamp 15.WLM-1



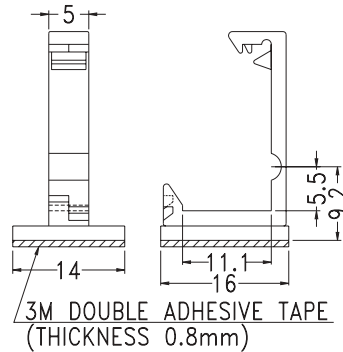
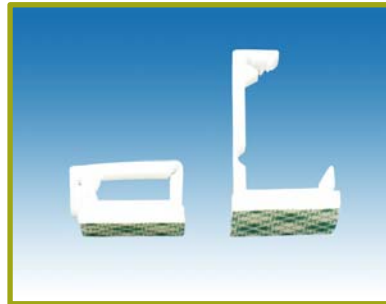
- Material: Nylon 66 (UL)
- Flame Class: 94V-2
- Color: Natural
- Unit: mm

Part	Pack Size
WLM-1	500

- Material: Nylon 66 (UL)
- Flame Class: 94V-2
- Color: Natural
- Unit: mm

Part	Pack Size
WLN-1	500

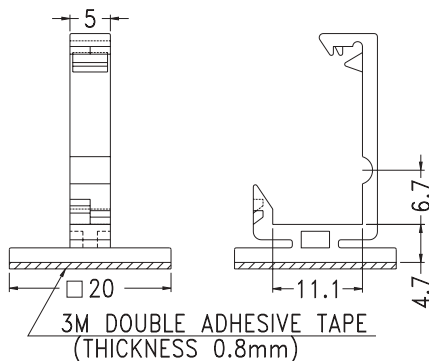
## Cable Clamp 15.WLN-1S



- Material: Nylon 66 (UL)
- Flame Class: 94V-2
- Color: Natural
- Unit: mm

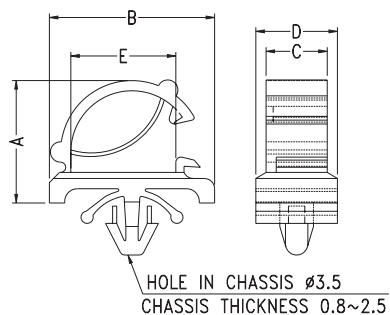
Part	Pack Size
WLN-1S	500

## Cable Clamp 15.WLN-1



- Material: Nylon 66 (UL)
- Flame Class: 94V-2
- Color: Natural
- Unit: mm

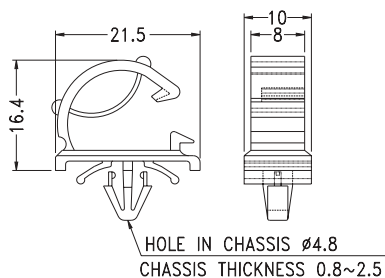
## Cable Clamp 15.WLO~



- Material: Nylon 66 (UL)
- Flame Class: 94V-2
- Color: Natural
- Unit: mm

Part	A	B	C	D	Pack Size
WLO-1	8.2	13.5	6.0	8.0	1000
WLO-2	12.0	16.2	6.0	8.0	1000

## Cable Clamp 15.WLO-3



- Material: Nylon 66 (UL)
- Flame Class: 94V-2
- Color: Natural
- Unit: mm

Part	Pack Size
WLO-3	500

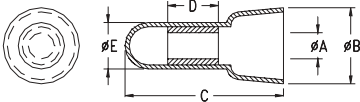
## Cable Clip 15.C~



- Housing Material: Nylon 66 UL94V-2
- Metal Material: Tin Plated Copper
- Color: Natural
- Unit: mm

Part	Wire Range	A	B	C	D	E	Pack Size
C3	#22-16 1.25mm <sup>2</sup>	2.5	7.9	19.2	7.2	5.1	1000
C4	#16-14 2mm <sup>2</sup>	3.2	8.2	20.7	8.5	5.7	1000
C5	#12-10 5.5mm <sup>2</sup>	4.2	10.6	24.8	10.7	7.3	1000
C8	#8 8mm <sup>2</sup>	5.0	12.2	27.1	12.5	9.2	500

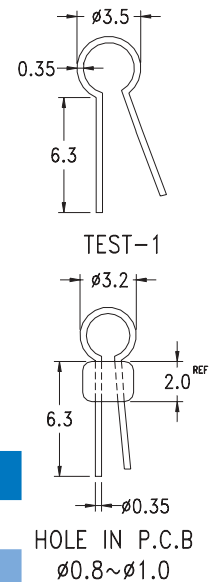
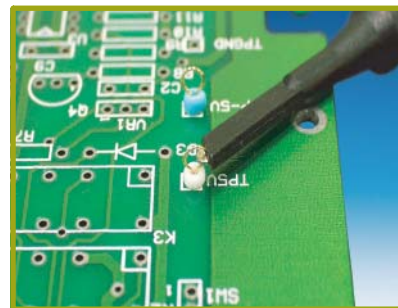
## Cable Clip 15.CE~



- Housing Material: Nylon 66 UL94V-2
- Metal Material: Tin Plated Copper
- Color: Natural
- Unit: mm

Part	Wire Range	A	B	C	D	E	Pack Size
CE1	#22-16 1.25mm <sup>2</sup>	2.5	7.7	18.0	7.0	5.0	1000
CE2	#16-14 2mm <sup>2</sup>	3.2	9.5	20.0	7.0	5.7	1000
CE5	#12-10 5.5mm <sup>2</sup>	4.0	12.3	25.5	8.4	7.6	1000
CE8	#8 8mm <sup>2</sup>	5.2	14.2	27.7	8.5	9.5	500

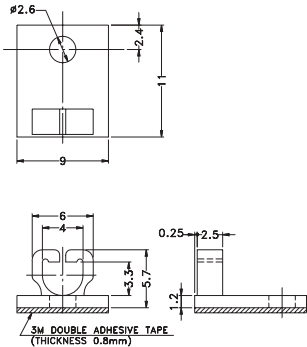
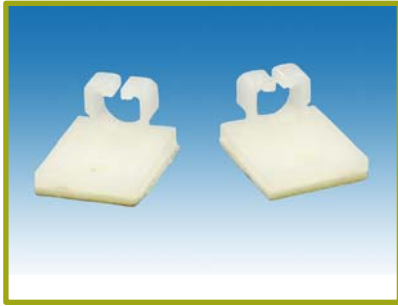
## Cable Clip 15.TEST-1



- Base Material: Heat Glass
- Metal Material: Copper
- Metal Finish: Gold Plated
- Unit: mm

Part	Color	Pack Size
TEST-1 (R)	Red	1000
TEST-1 (G)	Green	1000
TEST-1 (BU)	Blue	1000
TEST-1 (BK)	Black	1000
TEST-1 (Y)	Yellow	1000
TEST-1 (W)	White	1000

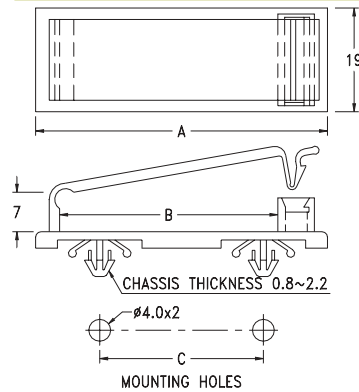
## Cable Clip 15.IMN-1



- Material: Nylon 66 (UL)
- Flame Class: 94V-2
- Color: Natural
- Unit: mm

Part	Pack Size
IMN-1	1000

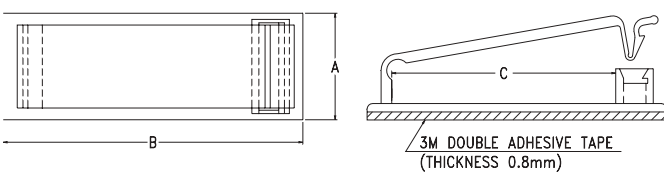
## Cable Mount 15.FCT~



- Material: Nylon 66 (UL)
- Flame Class: 94V-2
- Color: Natural
- Unit: mm

Part	A	B	C	Pack Size
FCT-2	53.5	40.0	30.0	50
FCT-3	45.5	32.0	25.0	50

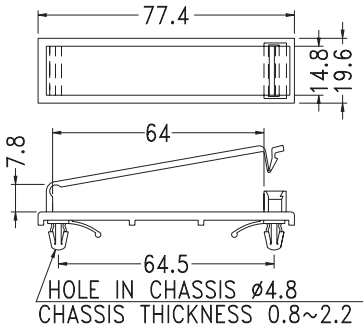
## Cable Mount 15.FCA~



- Material: Nylon 66 (UL)
- Flame Class: 94V-2
- Color: Natural
- Unit: mm

Part	A	B	C	Pack Size
FCA-1	19.7	77.6	64.0	50
FCA-2	19.0	53.5	40.0	100
FCA-3	19.0	45.5	32.0	200

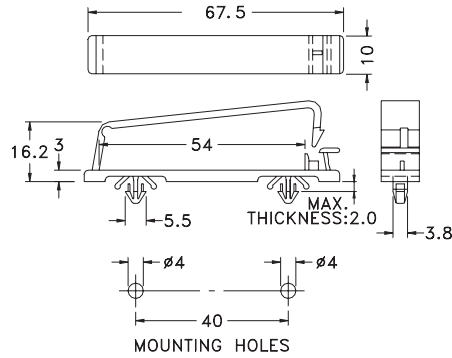
## Cable Mount 15.FCT-1



- Material: Nylon 66 (UL)
- Flame Class: 94V-2
- Color: Natural
- Unit: mm

Part	Pack Size
FCT-1	50

## Cable Mount 15.FCT-4

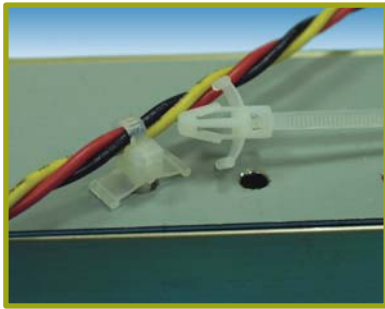


- Material: Nylon 66 (UL)
- Flame Class: 94V-2
- Color: Natural
- Unit: mm

Part	Pack Size
FCT-4	100



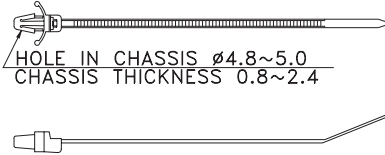
## Cable Tie 15.GTP~ and 15.GTRP-130I



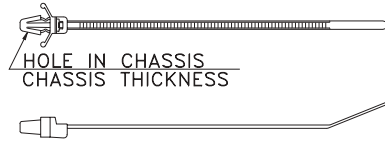
STYLE 1



STYLE 2



STYLE 3



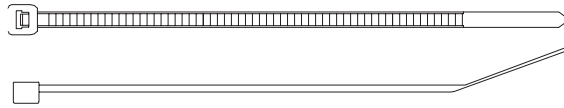
- Material: Nylon 66 (UL)
- Flame Class: 94V-2
- Color: Natural
- Unit: mm

Part	Approx. length mm/inch	Approx. width mm/inch	Max. Bundle Dia. mm/inch	Min. Loop Tensile Strength kg/lbs	Hole Diameter	Max. Panel Thickness	Style	Pack Size
GTP-130ST	130/5.12	4.8/0.19	25/0.98	22.2/50	6.4/0.252	3.2/0.126	3	1000
GTP-170ST	170/6.69	4.8/0.19	38/1.50	22.2/50	6.4/0.252	3.2/0.126	3	1000
GTP-190ST	195/7.68	4.8/0.19	45/1.77	22.2/50	6.4/0.252	3.2/0.126	3	1000
GTP110M	110/4.33	2.5/0.10	22/0.87	8.1/18	4.8/0.189	2.4/0.094	3	1000
GTP-110MA	110/4.33	2.5/0.10	22/0.87	8.1/18	4.8/0.189	2.4/0.094	2	1000
GTP-130I	130/5.12	3.2/0.13	28/1.10	13.6/30	4.0/0.157	2.0/0.079	3	1000
GTP-150I	150/5.91	3.6/0.14	32/1.26	13.6/30	5.2/0.205	2.8/0.110	1	1000
GTP-200ST	200/7.87	4.8/0.19	46/1.81	22.2/50	6.3/0.248	3.6/0.141	1	1000
Resealable Cable Tie								
GTRP-130I	130/5.12	3.2/0.13	28/1.10	13.6/30			3	1000

## Cable Tie 15.YJ~

### SELF LOCKING TIE

- Material: Nylon 66 (UL)
- Flame Class: 94V-2
- Color: Natural/Black
- Unit: mm



Part	Approx. length mm/inch	Approx. width mm/inch	Max. Bundle Dia. mm/inch	Min. Loop Tensile Strength kg/lbs	Pack Size
YJ-80	80/3.15	2.5/0.10	17/0.67	8/18	1000
YJ-90	90/3.54	2.5/0.10	21/0.83	8/18	1000
YJ-98	98/3.86	2.5/0.10	22/0.87	8/18	1000
YJ-100	100/4.00	2.5/0.10	23/0.91	8/18	1000
YJ-120	120/4.72	2.5/0.10	30/1.18	8/18	1000
YJ-142S	142/5.59	2.5/0.10	36/1.42	8/18	1000
YJ-160	160/6.3	2.5/0.10	42/1.66	8/18	1000
YJ-181	181/7.13	2.5/0.10	49/1.92	8/18	1000
YJ-203S	203/8.00	2.5/0.10	56/2.21	8/18	1000
YJ-102	102/4.00	3.6/0.14	22/0.87	18/40	500
YJ-122	122/4.80	3.6/0.14	29/1.14	18/40	500
YJ-142	142/5.59	3.6/0.14	34/1.34	18/40	500
YJ-163	163/6.41	3.6/0.14	40/1.57	18/40	500
YJ-185	185/7.28	3.6/0.14	47/1.85	18/40	500
YJ-203	203/8.00	3.6/0.14	55/2.17	18/40	500
YJ-232	232/9.13	3.6/0.14	63/2.48	18/40	500
YJ-263	263/10.35	3.6/0.14	73/2.87	18/40	500
YJ-295	295/11.61	3.6/0.14	83/3.27	18/40	500
YJ-331	331/13.00	3.6/0.14	96/3.78	18/40	500
YJ-370	370/14.57	3.6/0.14	108/4.25	18/40	500
YJ-115	115/4.53	4.8/0.19	29/1.15	23/50	500
YJ-140	140/4.50	4.8/0.19	34/1.34	23/50	500
YJ-162	162/6.38	4.8/0.19	42/1.66	23/50	500
YJ-188	188/7.40	4.8/0.19	49/1.93	23/50	500
YJ-201	201/8.00	4.8/0.19	53/2.08	23/50	500
YJ-216	216/8.50	4.8/0.19	58/2.28	23/50	500
YJ-242	242/9.53	4.8/0.19	66/2.60	23/50	500
YJ-266	266/10.47	4.8/0.19	72/2.84	23/50	500
YJ-292	292/11.50	4.8/0.19	82/3.23	23/50	500
YJ-330	330/13.00	4.8/0.19	93/3.66	23/50	500
YJ-368	368/14.49	4.8/0.19	106/4.17	23/50	500
YJ-410	410/16.14	4.8/0.19	122/4.80	23/50	500

## CABLE CLIPS, CLAMPS AND TIES

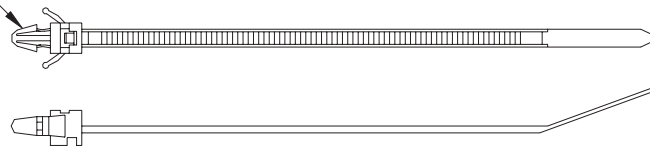
Tarapath

YJ-450	450/17.72	4.8/0.19	135/5.31	23/50	500
YJ-148	148/5.83	7.6/0.30	36/1.42	54/120	100
YJ-182	182/7.17	7.6/0.30	46/1.81	54/120	100
YJ-215	215/8.46	7.6/0.30	59/2.32	54/120	100
YJ-254	254/10.00	7.6/0.30	71/2.80	54/120	100
YJ-293	293/11.54	7.6/0.30	84/3.30	54/120	100
YJ-332	332/13.00	7.6/0.30	95/3.74	54/120	100
YJ-368L	368/14.49	7.6/0.30	109/4.29	54/120	100
YJ-420	4209/16.54	7.6/0.30	124/4.88	54/120	100
YJ-470	470/18.50	7.6/0.30	140/5.51	54/120	100
YJ-520	520/20.47	7.6/0.30	156/6.14	54/120	100
YJ-178	178/7.00	9.0/0.35	45/1.76	80/175	100
YJ-229	229/9.00	9.0/0.35	61/2.40	80/175	100
YJ-280	280/11.00	9.0/0.35	77/3.03	80/175	100
YJ-329	329/13.00	9.0/0.35	93/3.66	80/175	100
YJ-382	382/15.00	9.0/0.35	110/4.33	80/175	100
YJ-458	458/18.00	9.0/0.35	135/5.32	80/175	100
YJ-530	530/20.87	9.0/0.35	155/6.10	80/175	100
YJ-655	655/25.79	9.0/0.35	194/7.64	80/175	100
YJ-780	780/30.71	9.0/0.35	234/9.21	80/175	100
YJ-815	815/32.00	9.0/0.35	247/9.72	80/175	100

## Cable Tie 15.YJ~

- Material: Nylon 66 (UL)
- Flame Class: 94V-2
- Color: Natural/Black
- Unit: mm

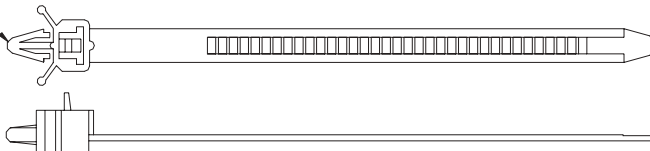
HOLE IN CHASSIS  $\varnothing 4.0$   
CHASSIS THICKNESS 1.0~2.5



### PUSH SELF-LOCKING TIES

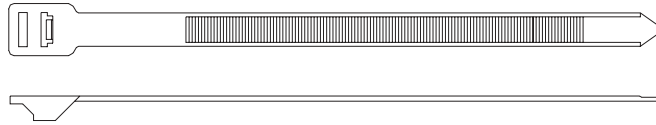
Part	Approx. length mm/inch	Approx. width mm/inch	Max. Bundle Dia. mm/inch	Min. Loop Tensile Strength kg/lbs	Pack Size
YJ-123	123/4.84	3.4/0.13	25.4/1.00	18/40	500

HOLE IN CHASSIS  $\varnothing 6.0$   
CHASSIS THICKNESS 0.8~1.5



### PUSH TIES - RELEASABLE

Part	Approx. length mm/inch	Approx. width mm/inch	Max. Bundle Dia. mm/inch	Min. Loop Tensile Strength kg/lbs	Pack Size
YJ-151	151/6.00	7.8/0.30	37/1.45	40/88	100
YJ-191	191/7.50	7.8/0.30	49/1.92	40/88	100
YJ-231	231/9.00	7.8/0.30	62/2.44	40/88	100



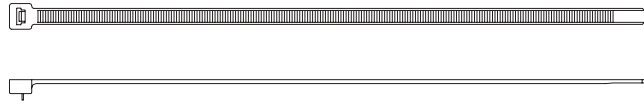
## RELEASABLE TIES

Part	Approx. length mm/inch	Approx. width mm/inch	Max. Bundle Dia. mm/inch	Min. Loop Tensile Strength kg/lbs	Pack Size
YJ-228	228/9.00	12.7/0.50	54/2.12	114/250	100
YJ-256	256/10.00	12.7/0.50	62/2.44	114/250	100
YJ-279	279/11.00	12.7/0.50	70/2.75	114/250	100
YJ-305	305/12.00	12.7/0.50	78/3.07	114/250	100
YJ-328	328/13.00	12.7/0.50	86/3.38	114/250	100
YJ-355	355/14.00	12.7/0.50	94/3.70	114/250	100
YJ-380	380/15.00	12.7/0.50	102/4.00	114/250	100
YJ-405	405/16.00	12.7/0.50	110/4.33	114/250	100
YJ-430	430/17.00	12.7/0.50	118/4.64	114/250	100
YJ-455	455/18.00	12.7/0.50	127/5.00	114/250	100
YJ-485	485/19.00	12.7/0.50	135/5.31	114/250	100
YJ-510	510/20.00	12.7/0.50	143/5.62	114/250	100
YJ-534	534/21.00	12.7/0.50	151/5.94	114/250	100
YJ-560	560/22.00	12.7/0.50	159/6.25	114/250	100
YJ-585	585/23.00	12.7/0.50	167/6.57	114/250	100
YJ-610	610/24.00	12.7/0.50	175/6.88	114/250	100
YJ-635	635/25.00	12.7/0.50	183/7.20	114/250	100
YJ-660	660/26.00	12.7/0.50	191/7.51	114/250	100
YJ-685	685/27.00	12.7/0.50	199/7.83	114/250	100
YJ-710	710/28.00	12.7/0.50	207/8.14	114/250	100
YJ-735	735/29.00	12.7/0.50	215/8.46	114/250	100
YJ-760	760/30.00	12.7/0.50	224/8.81	114/250	100
YJ-790	790/31.00	12.7/0.50	232/9.19	114/250	100
YJ-813	813/32.00	12.7/0.50	243/9.57	114/250	100
YJ-915	915/36.00	12.7/0.50	274/10.79	114/250	100
YJ-1042	1042/41.00	12.7/0.50	314/12.36	114/250	100
YJ-1168	1168/46.00	12.7/0.50	354/13.94	114/250	100

## Cable Tie 15.YJ~

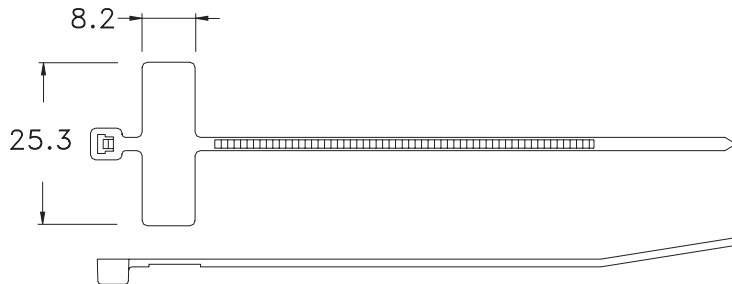
- Material: Nylon 66 (UL)
- Flame Class: 94V-2
- Color: Natural/Black
- Unit: mm

RELEASABLE TIES:



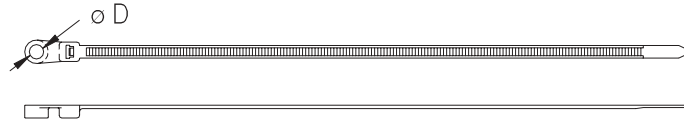
Part	Approx. length mm/inch	Approx. width mm/inch	Max. Bundle Dia. mm/inch	Min. Loop Tensile Strength kg/lbs	Pack Size
YJ-300	300/11.81	7.6/0.30	86/3.38	23/50	100
YJ-350	350/13.87	7.6/0.30	102/4.02	23/50	100
YJ-400	400/15.75	7.6/0.30	118/4.65	23/50	100
YJ-R655	655/25.79	9.0/0.35	194/7.64	80/175	100
YJ-R780	780/30.71	9.0/0.35	234/9.21	80/175	100
YJ-R815	815/32.00	9.0/0.35	247/9.72	80/175	100

MARKER TIES:



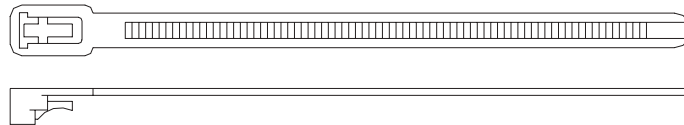
Part	Approx. length mm/inch	Approx. width mm/inch	Max. Bundle Dia. mm/inch	Min. Loop Tensile Strength kg/lbs	Pack Size
YJ-98X	100/4.00	2.5/0.10	22/0.87	8/18	1000

## CLAMP MOUNTING TIES:



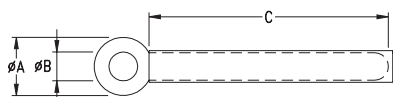
Part	Approx. length mm/inch	Approx. width mm/inch	D	Max. Bundle Dia. mm/inch	Min. Loop Tensile Strength kg/lbs	Pack Size
YJ-110	110/4.33	2.8/0.11	3.2	23/0.91	10/22	500
YJ-156	156/6.14	3.6/0.14	4.2	35/1.38	18/40	1000
YJ-205	205/8.00	4.8/0.19	5.4	51/2.01	23/50	1000
YJ-255	255/10.00	4.8/0.19	5.4	67/2.64	23/50	1000
YJ-304	304/12.00	4.8/0.19	5.4	83/3.98	23/50	500
YJ-356	356/14.00	4.8/0.19	5.4	101/3.98	23/50	500
YJ-406	406/16.00	4.8/0.19	5.4	118/4.64	23/50	500
YJ-230	230/9.00	7.6/0.30	6.4	58/2.28	54/120	100
YJ-306	306/12.00	7.6/0.30	6.4	84/3.31	54/120	100
YJ-381	381/15.00	7.6/0.30	6.4	108/4.25	54/120	100
YJ-460	460/18.00	7.6/0.30	6.4	133/5.24	54/120	100
YJ-535	535/21.0	7.6/0.30	6.4	155/6.10	54/120	100

## RELEASABLE TIES:



Part	Approx. length mm/inch	Approx. width mm/inch	Max. Bundle Dia. mm/inch	Min. Loop Tensile Strength kg/lbs	Pack Size
YJ-150	150/5.90	7.5/0.295	38/1.54	23/50	100
YJ-200	200/7.87	7.5/0.295	56/2.21	23/50	1000
YJ-250	250/9.84	7.5/0.295	72/2.83	23/50	1000

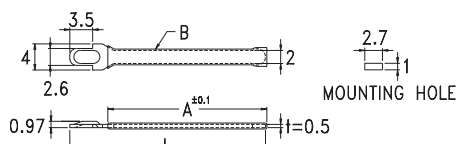
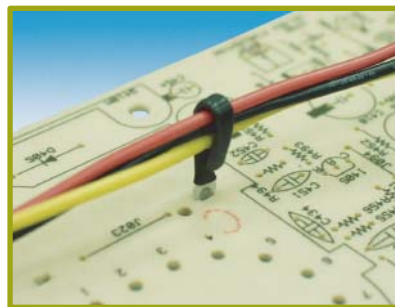
## Cable Tie 15.WL~T



- Plastic Material: Soft PVC/PVC Tube (UL/CSA)
- Metal Material: Steel
- Color: Black
- Unit: mm

Part	A	B	C	Pack Size
WL3-32T	7.5	3.3	32.0	1000
WL3-52T	7.5	3.3	52.0	1000
WL3-60T	8.0	3.6	62.0	1000
WL4-35T	8.5	4.2	35.0	1000
WL4-50T	8.0	4.1	52.0	1000
WL4-70T	7.5	4.2	74.5	1000
WL4-78T	8.0	4.1	78.5	500
WL5-70T	8.4	5.1	69.2	500
WL6-78T	10.0	6.0	78.0	500

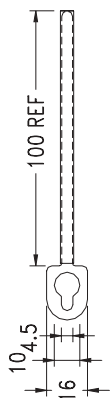
## Cable Tie 15.WLD~



- Plastic Material: Polyolfein (UL) CSA/PVC (UL) CSA
- Metal Material: Steel
- Metal Finish: Tin Plated
- Color: Black
- Unit: mm

Part	L	A	B	Pack Size
WLD-30H	30.0	24.0	1.5 Heat Shrinking	1000
WLD-50H	50.0	47.0	1.5 Heat Shrinking	1000
WLD-30T	30.0	22.0	1.93 PVC Tube	1000
WLD50T	50.0	45.0	1.93 PVC Tube	1000

## Cable Tie 15.WLC-1

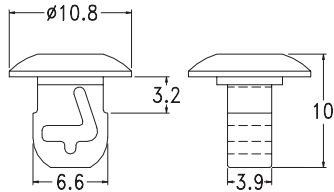


- Plastic Material: PVC Tube (UL/CSA)
- Metal Material: Steel
- Color: Black
- Unit: mm

Part	Pack Size
WLC-1	500



## Cable Tie Mount 15.CCM-1

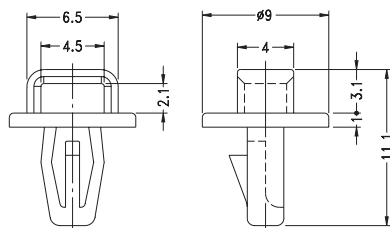


MOUNTING HOLE J1r6.4

- Material: Nylon 66 (UL)
- Flame Class: 94V-2
- Color: Natural
- Unit: mm

Part	Pack Size
CCM-1	1000

## Cable Tie Mount 15.CCMT-2

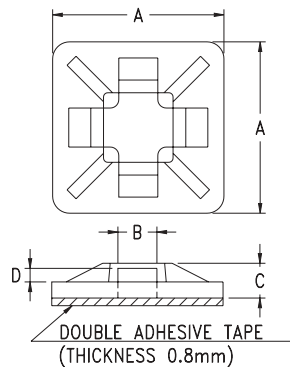


HOLE IN P.C.B:  $\phi 4.0$   
P.C.B THICKNESS: 1.6~2.0

- Material: Nylon 66 (UL)
- Flame Class: 94V-2
- Color: Natural
- Unit: mm

Part	Pack Size
CCMT-2	1000

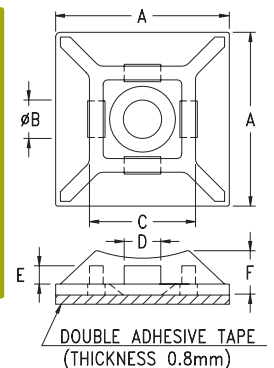
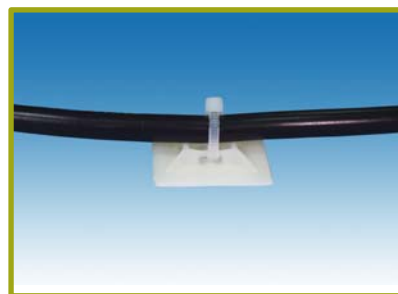
## Cable Tie Mount 15.CM~



- Material: Nylon 66 (UL)
- Flame Class: 94V-2
- Color: Natural
- Unit: mm

Part	A	B	C	D	Pack Size
CM-13	13.0	3.2	3.2	1.3	1000
CM-19	19.1	4.0	4.1	1.6	500
CM-20	20.1	4.5	4.2	1.6	500

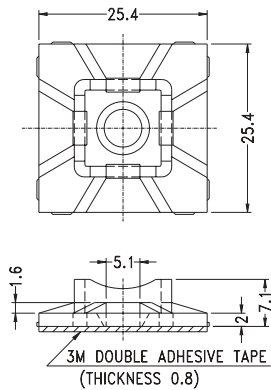
## Cable Tie Mount 15.CM~



- Material: Nylon 66 (UL)
- Flame Class: 94V-2
- Color: Natural
- Unit: mm

Part	A	B	C	D	E	F	Pack Size
CM-19S	19.0	4.2	11.6	4.0	1.9	5.0	500
CM-28	27.8	6.2	13.2	5.6	1.6	5.0	250

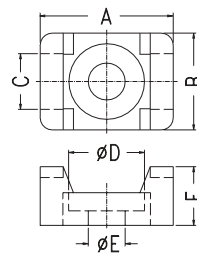
## Cable Tie Mount 15.CM-25



- Material: Nylon 66 (UL)
- Flame Class: 94V-2
- Color: Natural
- Unit: mm

Part	Pack Size
CM-25	500

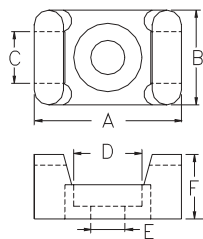
## Cable Tie Mount 15.TM~



- Material: Nylon 66 (UL)
- Flame Class: 94V-2
- Color: Natural
- Unit: mm

Part	A	B	C	D	E	F	Pack Size
TM-2SG	14.8	9.6	5.5	6.9	3.7	7.1	1000
TM-2S8	14.8	9.6	5.6	7.7	4.5	7.1	1000
TM-3S8	22.0	16.0	9.1	7.8	4.4	9.7	500
TM-3S10	22.0	16.0	9.2	9.6	5.0	9.7	500
TM-3S25	22.0	16.0	9.2	12.6	6.4	9.6	500

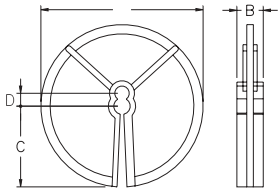
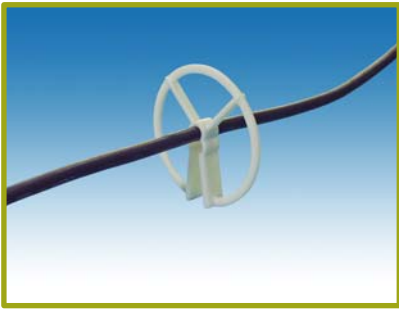
## Cable Tie Mount 15.TH~



- Material: Nylon 66 (UL)
- Flame Class: 94V-2
- Color: Natural
- Unit: mm

Part	A	B	C	D	E	F	Pack Size
TH-2	15.2	9.7	5.2	6.9	3.5	6.6	1000
TH-2S	13.3	8.2	3.6	5.9	3.2	5.85	1000

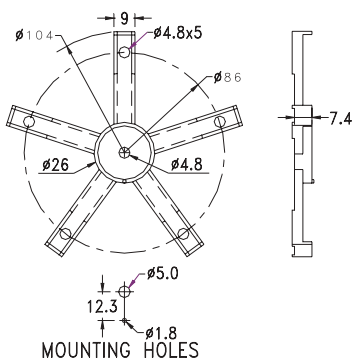
## F.B.T. Clip 15.FBT~



- Material: Nylon 66 (UL)
- Flame Class: 94V-2
- Color: Natural
- Unit: mm

Part	A	B	C	D	Fit Cable	Pack Size
FBT-1	49.5	7.8	22.0	5.0	4.5 ~ 5.3	100
FBT-2	49.2	7.8	22.0	5.0	3.5 ~ 4.5	100
FBT-3	50.2	7.4	23.0	5.0	2.5 ~ 3.5	100
FBT-4	49.5	8.0	22.7	5.0	4.0 ~ 5.0 or 5.0 ~ 5.5	100
FBT-5	49.2	7.0	22.0	4.7	3.7 ~ 4.2 or 4.5 ~ 5.2	100

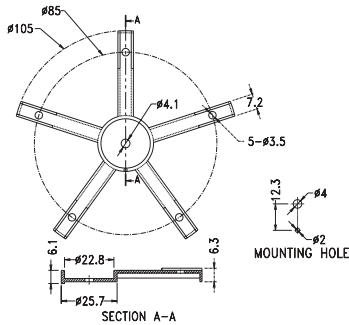
## Fiber Cable Housing 15.FSB~



- Material: Nylon 66 (UL)
- Flame Class: 94V-2
- Color: Natural
- Unit: mm

Part	Fitting	Pack Size
FSB-1	Screw	50
FSB-1A	Adhesive	50

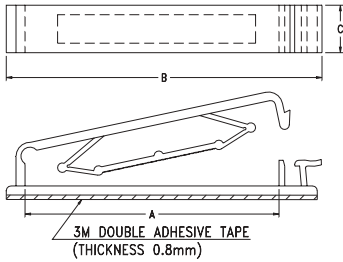
## Fiber Cable Housing 15.FSB-2



- Material: Nylon 66 (UL)
- Flame Class: 94V-2
- Color: Natural
- Unit: mm

Part	Pack Size
FSB-2	50

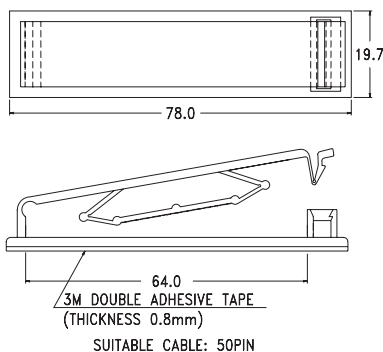
## Flat Cable Clamp 15.FCB~



- Material: Nylon 66 (UL)
- Flame Class: 94V-2
- Color: Natural
- Unit: mm

Part	A	B	C	Close D	Pack Size
FCB-40	53.8	65.0	10.2	40 PIN	200
FCB-50	64.5	77.0	10.0	50PIN	100

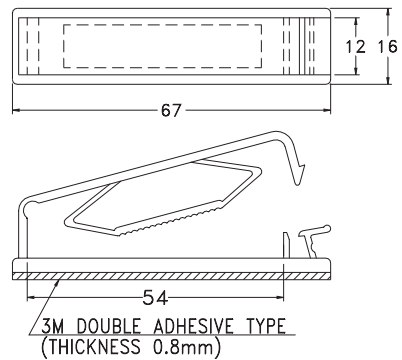
## Flat Cable Clamp 15.FCB-1



- Material: Nylon 66 (UL)
- Flame Class: 94V-2
- Color: Natural
- Unit: mm

Part	Pack Size
FCB-1	100

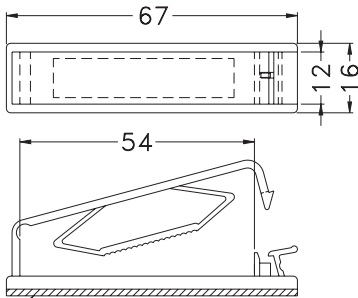
## Flat Cable Clamp 15.FCB-40M



- Material: Nylon 66 (UL)
- Flame Class: 94V-2
- Color: Natural
- Unit: mm

Part	Pack Size
FCB-40M	100

## Flat Cable Clamp 15.FCB-40MT



3M DOUBLE ADHESIVE TYPE  
(THICKNESS 0.8mm)

SUITABLE CABLE: 40 PIN

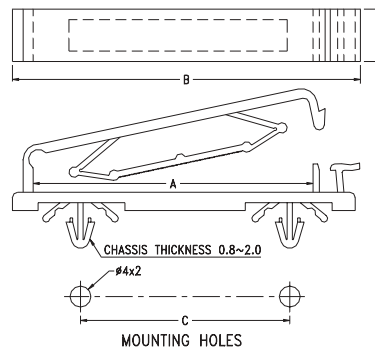
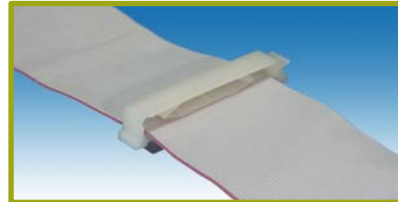
- Material: Nylon 66 (UL)
- Flame Class: 94V-2
- Color: Natural
- Unit: mm

Part	Pack Size
FCB-40MT	100

- Material: Nylon 66 (UL)
- Flame Class: 94V-2
- Color: Natural
- Unit: mm

Part	Pack Size
FCCT-12	500

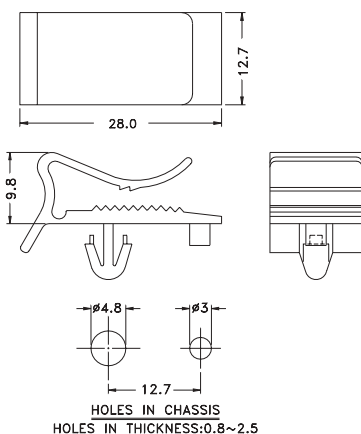
## Flat Cable Clamp 15.FCD~



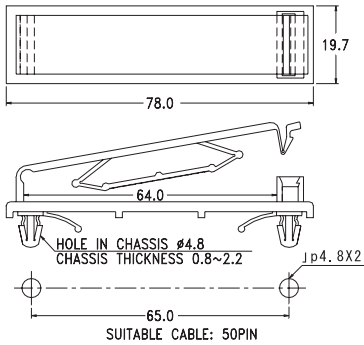
- Material: Nylon 66 (UL)
- Flame Class: 94V-2
- Color: Natural
- Unit: mm

Part	A	B	C	D	Suitable Cable	Pack Size
FCD-40	54.1	65.6	40.0	10.2	40 PIN	100
FCD-50	64.3	77.0	49.7	10.0	50 PIN	100

## Flat Cable Clamp 15.FCCT-12



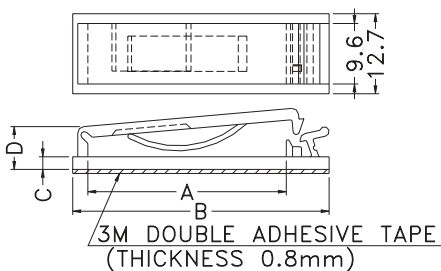
## Flat Cable Clamp 15.FCD-1



- Material: Nylon 66 (UL)
- Flame Class: 94V-2
- Color: Natural
- Unit: mm

Part	Pack Size
FCD-1	50

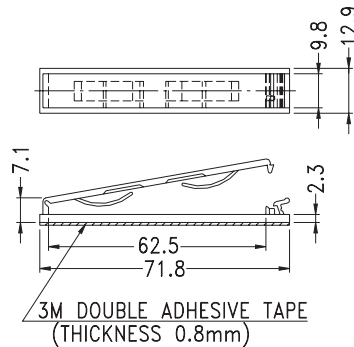
## Flat Cable Clamp 15.FCE~



- Material: Nylon 66 (UL)
- Flame Class: 94V-2
- Color: Natural
- Unit: mm

Part	A	B	C	D	Pack Size
FCE-1	31.5	40.7	2.0	6.8	200
FCE-2	52.0	61.2	2.1	6.9	100

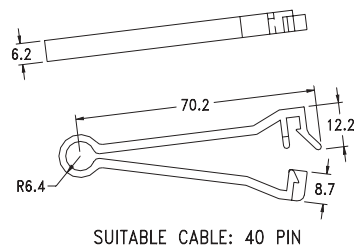
## Flat Cable Clamp 15.FCE-3



- Material: Nylon 66 (UL)
- Flame Class: 94V-2
- Color: Natural
- Unit: mm

Part	Pack Size
FCE-3	100

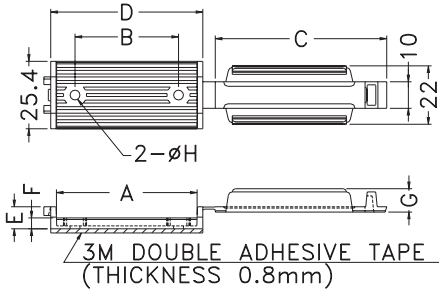
## Flat Cable Clamp 15.FCE-40



- Material: Nylon 66 (UL)
- Flame Class: 94V-2
- Color: Natural
- Unit: mm

Part	Pack Size
FCE-40	100

## Flat Cable Clamp 15.FCH~



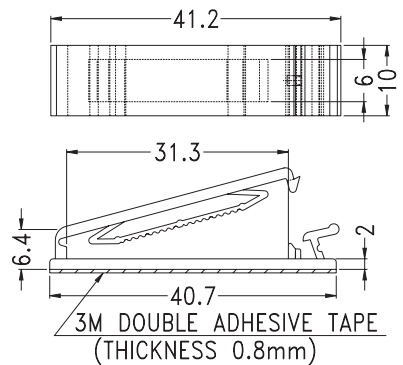
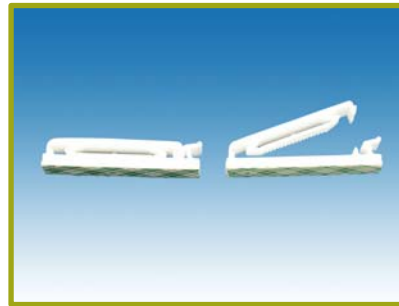
- Material: Nylon 66 (UL)
- Flame Class: 94V-2
- Color: Grey
- Unit: mm

Part	A	B	C	D	E	F	G	H	Pack Size
FCH-50	53.0	39.0	64.6	57.3	8.3	4.1	8.8	3.7	50
FCH-80	78.93	38.7	90.6	82.3	12.3	6.0	7.6	3.8	50

- Material: Nylon 66 (UL)
- Flame Class: 94V-2
- Color: Grey
- Unit: mm

Part	Pack Size
FCH-30	100

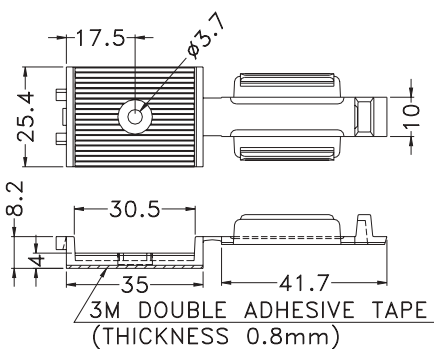
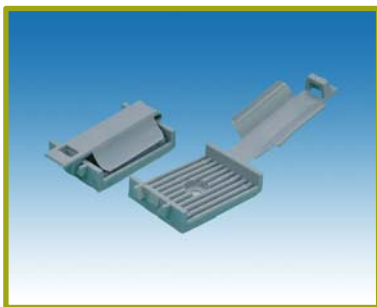
## Flat Cable Clamp 15.FCI-1



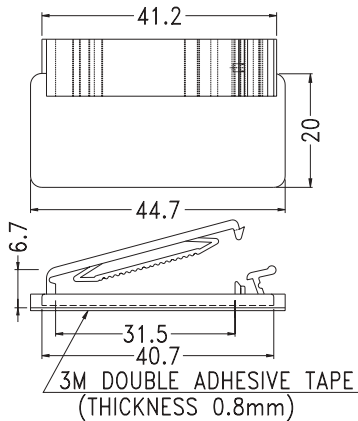
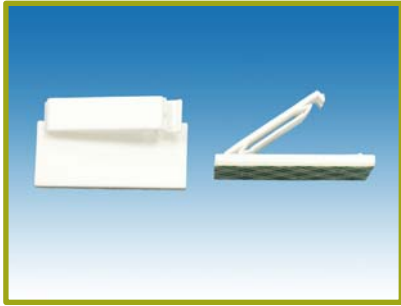
- Material: Nylon 66 (UL)
- Flame Class: 94V-2
- Color: Natural
- Unit: mm

Part	Pack Size
FCI-1	200

## Flat Cable Clamp 15.FCH-30



## Flat Cable Clamp 15.FCI-2



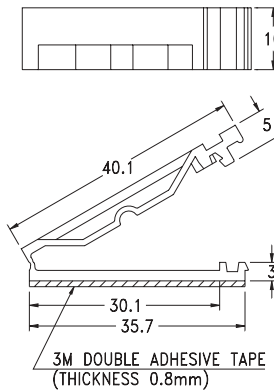
- Material: Nylon 66 (UL)
- Flame Class: 94V-2
- Color: Natural
- Unit: mm

Part	Pack Size
FCI-2	100

- Material: Nylon 66 (UL)
- Flame Class: 94V-2
- Color: Natural
- Unit: mm

Part	Pack Size
FCK-50	100

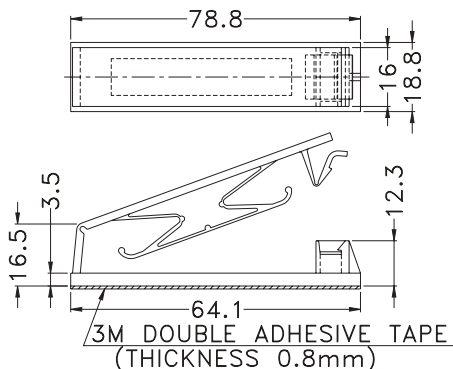
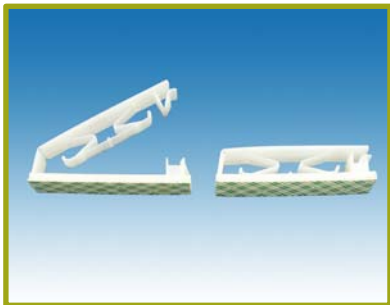
## Flat Cable Clamp 15.FCS-20



- Material: Nylon 66 (UL)
- Flame Class: 94V-2
- Color: Natural
- Unit: mm

Part	Pack Size
FCS-20	200

## Flat Cable Clamp 15.FCK-50

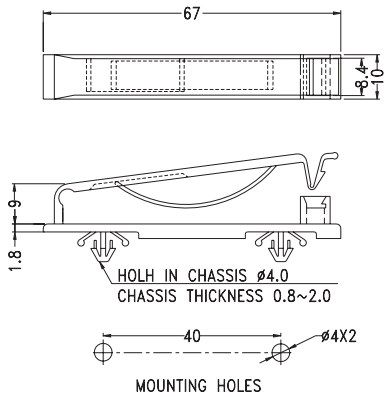


- Material: Nylon 66 (UL)
- Flame Class: 94V-2
- Color: Natural
- Unit: mm

Part	Pack Size
FCK-50	100



## Flat Cable Clamp 15.FDT-4



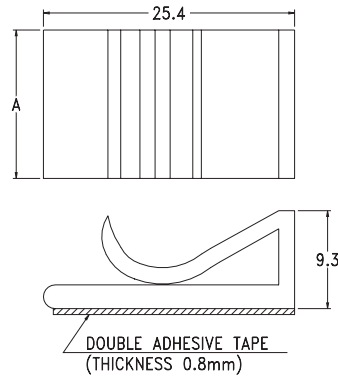
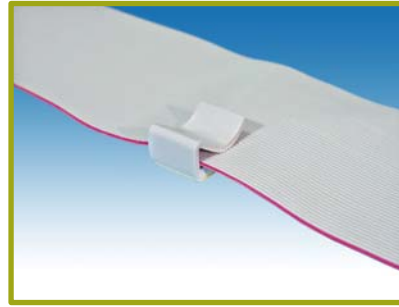
- Material: Nylon 66 (UL)
- Flame Class: 94V-2
- Color: Natural
- Unit: mm

Part	Pack Size
FDT-4	100

- Material: Nylon 66 (UL)
- Flame Class: 94V-2
- Color: Natural
- Unit: mm

Part	Pack Size
FC-19	500

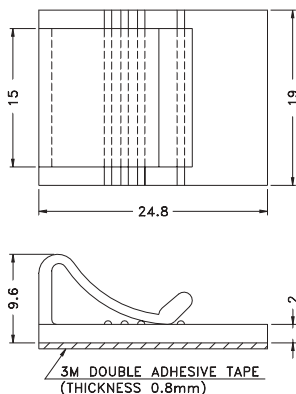
## Flat Cable Mount 15.FCC~



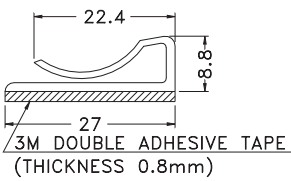
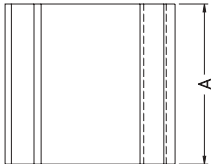
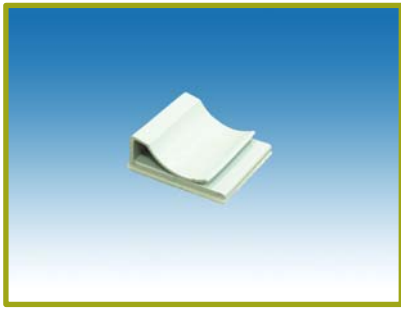
- Material: PVC
- Color: Grey
- Unit: mm

Part	A	Pack Size
FCC-15	15.0	500
FCC-20	20.0	500
FCC-25	25.0	250

## Flat Cable Mount 15.FC-19



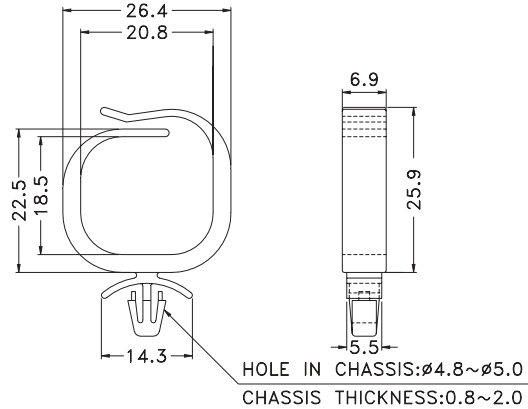
## Flat Cable Mount 15.FCN~



- Material: Nylon 66 (UL)
- Flame Class: 94V-2
- Color: Natural
- Unit: mm

Part	A	Pack Size
FCN-15	15.0	500
FCN-20	20.0	500
FCN-25	25.0	500

## Harness Clip Standoff 15.CHD-18



- Material: Nylon 66 (UL)
- Flame Class: 94V-2
- Color: Natural
- Unit: mm

Part	Pack Size
CHD-18	250

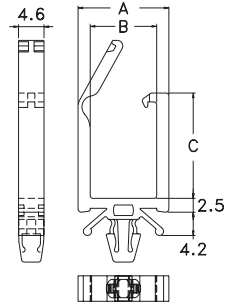
## Harness Clip Standoff 15.CHF~



- Material: Nylon 66 (UL)
- Flame Class: 94V-2
- Color: Natural
- Unit: mm

Part	Pack Size
MIS-2	2000

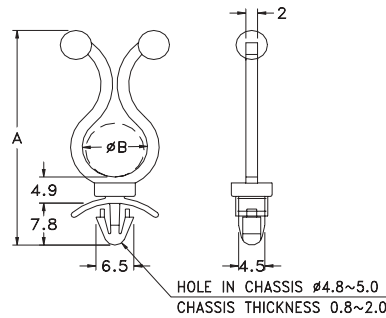
## Harness Clip Standoff 15.TH~



MOUNTING HOLE:  $\varnothing 4.8$   
CHASSIS THICKNESS: 0.5~2.0

- Material: Nylon 66 (UL)
- Flame Class: 94V-2
- Color: Natural
- Unit: mm

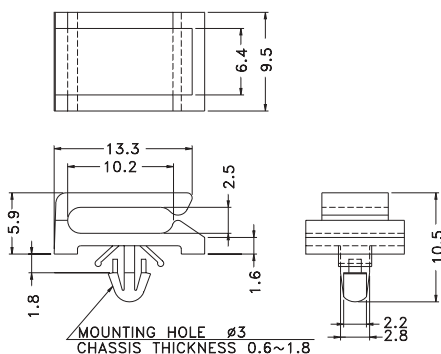
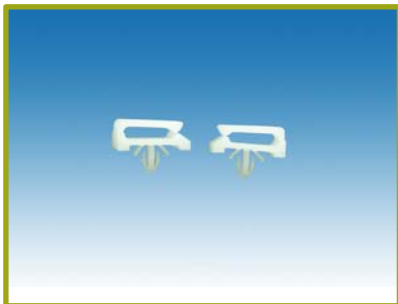
Part	A	B	C	Pack Size
CHF-1	16.4	12.0	19.0	500
CHF-2	14.4	10.4	14.0	500



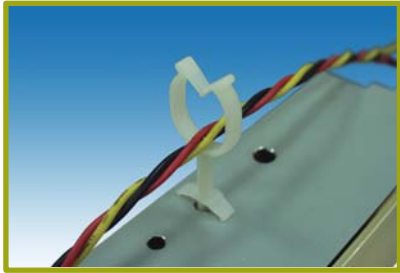
- Material: Nylon 66 (UL)
- Flame Class: 94V-2
- Color: Natural
- Unit: mm

Part	A	B	Close B	Pack Size
THD-1	40.2	10.8	9.8	500
THD-2	49.4	18.7	17.1	500

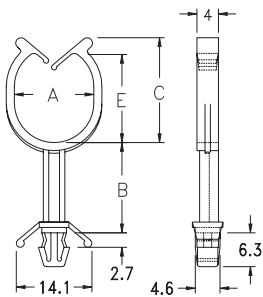
## Harness Clip Standoff 15.MIS-2



## Harness Clip Standoff 15.THE~

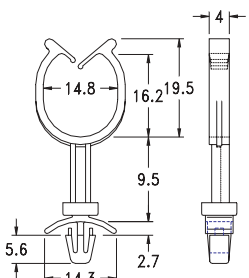


- Material: Nylon 66 (UL)
- Flame Class: 94V-2/94V-0
- Color: Natural
- Unit: mm



BOARD THICKNESS: D  
MOUNTING HOLE:  $\phi$ 4.8~5.0

Part	A	B	C	D	E	Pack Size
THE-12	14.8	12.7	19.5	0.5 ~ 2.3	16.2	500
THE-17	14.8	16.8	19.5	0.5 ~ 2.3	16.2	500
THE-25	14.8	25.0	19.5	0.5 ~ 2.3	16.2	500
THE-37	14.8	36.8	19.5	0.5 ~ 2.3	16.2	500

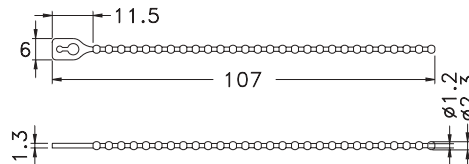


BOARD THICKNESS: 0.5~2.3  
MOUNTING HOLE:  $\phi$ 4.8~5.0

- Material: Nylon 66 (UL)
- Flame Class: 94V-2
- Color: Natural
- Unit: mm

Part	Pack Size
THE-9	500

## Strap Tie 15.GTB-100



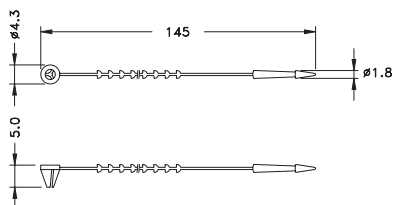
- Material: Nylon 66 (UL)
- Flame Class: 94V-2/94V-0
- Color: Natural
- Unit: mm

Part	Bundle Dia	Tensile Strength	Pack Size
GTB-100	29cm/1.14"	4kgs/8.8lbs	1000

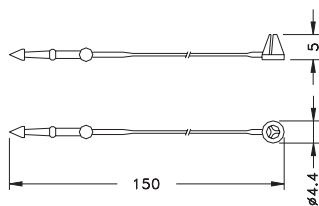
## Strap Tie 15.LOCK~



- Material: Nylon 66 (UL)
- Flame Class: 94V-2
- Color: Natural
- Unit: mm

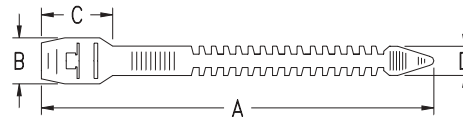
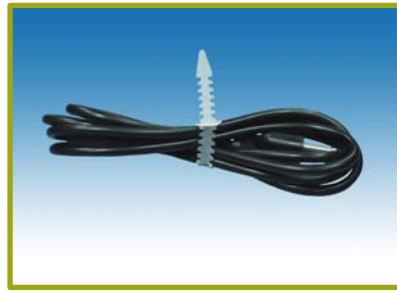


Part  
LOCK-145



Part  
LOCK-150

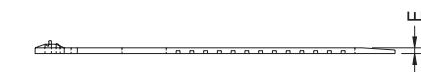
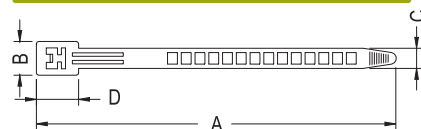
## Strap Tie 15.ST~



- Material: PE
- Color: Natural
- Unit: mm

Part	A	B	C	D	Pack Size
ST-2	135.0	15.8	21.4	10.0	500
ST-3	140.0	15.4	24.5	10.0	500

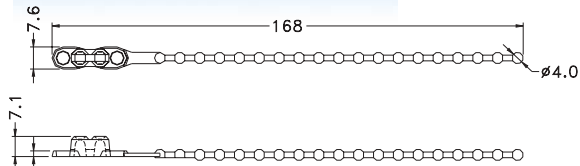
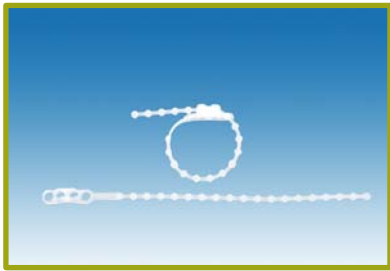
## Strap Tie 15.ST~



- Material: Nylon 66 (UL)
- Color: Natural
- Unit: mm

Part	A	B	C	D	E	Pack Size
ST-1	157	14.7	8.6	18.3	1.5	500
ST-4	205	15.0	8.6	18.3	1.7	500
ST-5	125	13.0	7.5	16.0	1.45	500

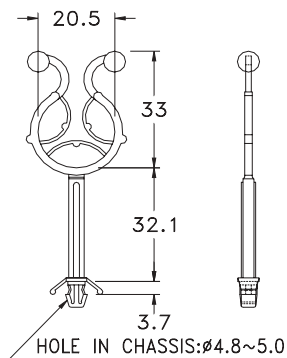
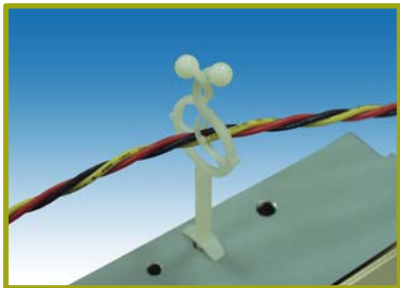
## Strap Tie 15.STO-166



- Material: PE
- Color: Natural
- Unit: mm

Part	Pack Size
STO-166	500

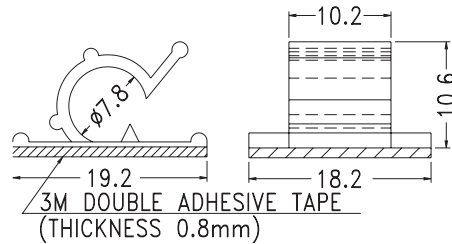
## Twist Lock Standoff 15.THF-1



- Material: Nylon 66 (UL)
- Flame Class: 94V-0
- Color: Natural
- Unit: mm

Part	Pack Size
THF-1	500

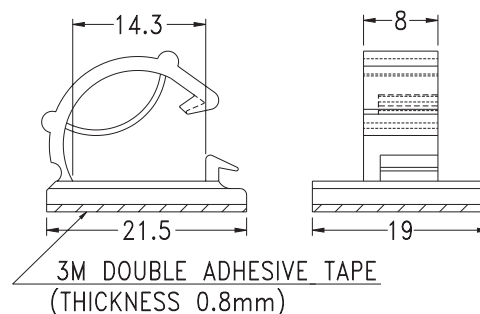
## Wire Clamp 15.WC-1



- Material: Nylon 66 (UL)
- Flame Class: 94V-2
- Color: Natural
- Unit: mm

Part	Pack Size
WC-1	500

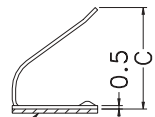
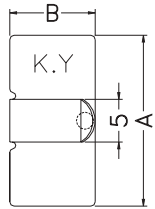
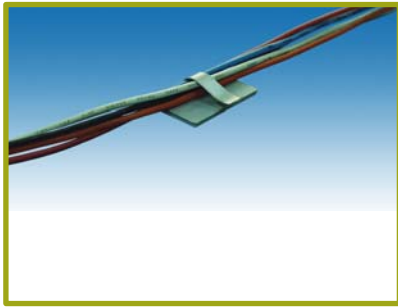
## Wire Clamp 15.WCC-3



- Material: Nylon 66 (UL)
- Flame Class: 94V-2
- Color: Natural
- Unit: mm

Part	Pack Size
WCC-3	500

## Wire Clamp 15.WCM~



3M DOUBLE ADHESIVE TAPE  
(THICKNESS 0.8mm)

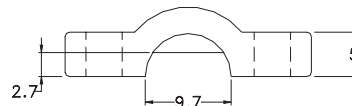
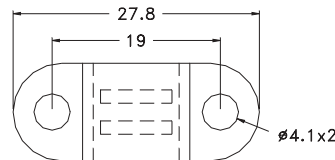
- Material: Steel
- Unit: mm

Part	A	B	C	Pack Size
WCM-1	20.0	10.0	12.5	1000
WCM-2	25.0	15.0	18.0	500

- Material: Nylon 66 (UL)
- Flame Class: 94V-2
- Color: Natural
- Unit: mm

Part	Pack Size
WCT-5	500

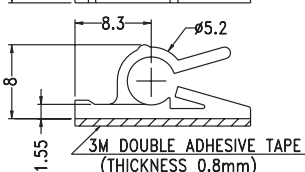
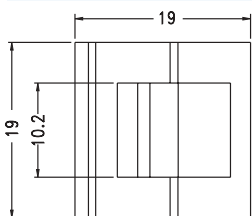
## Wire Clip 15.CLT-1



- Material: ABS
- Flame Class: 94V-HB/94V-2
- Color: Grey
- Unit: mm

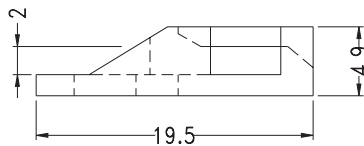
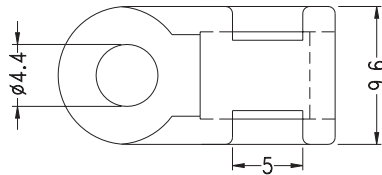
Part	Pack Size
CLT-1	500

## Wire Clamp 15.WCT-5



3M DOUBLE ADHESIVE TAPE  
(THICKNESS 0.8mm)

## Wire Clip 15.TH-1



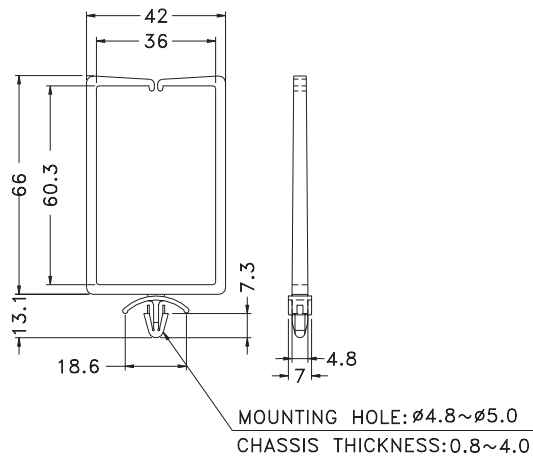
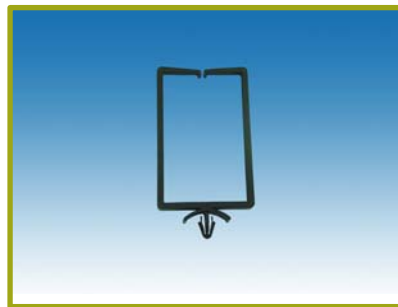
- Material: Nylon 66 (UL)
- Flame Class: 94V-2
- Color: Natural
- Unit: mm

Part	Pack Size
TH-1	1000

- Material: Nylon 66 (UL)
- Flame Class: 94V-2
- Color: Natural
- Unit: mm

Part	Pack Size
CHE-1	500

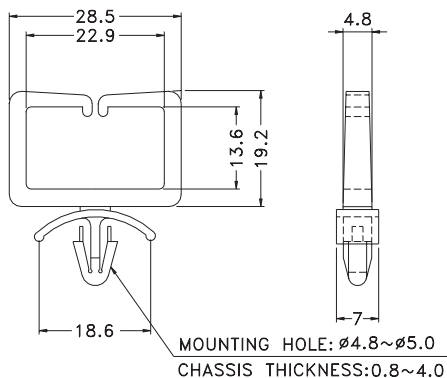
## Wire Holder 15.CHE-2



- Material: Nylon 66 (UL)
- Flame Class: 94V-2
- Color: Natural/Black
- Unit: mm

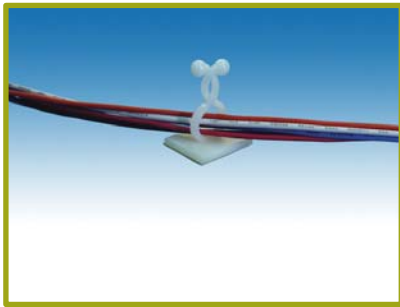
Part	Pack Size
CHE-2	100

## Wire Holder 15.CHE-1

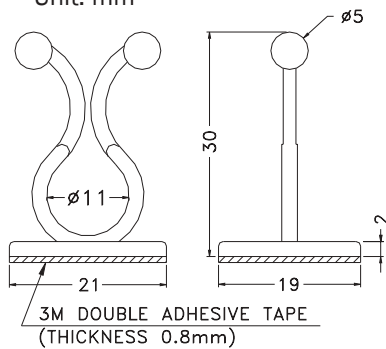




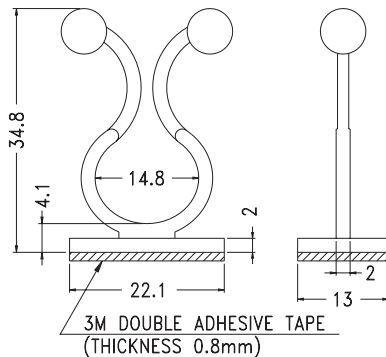
## Wire Holder 15.KL~



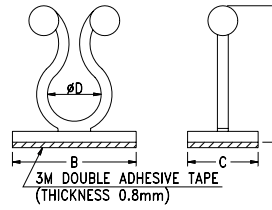
- Material: Nylon 66 (UL)
- Flame Class: 94V-2
- Color: Natural
- Unit: mm



Part	Pack Size
KL-11	500

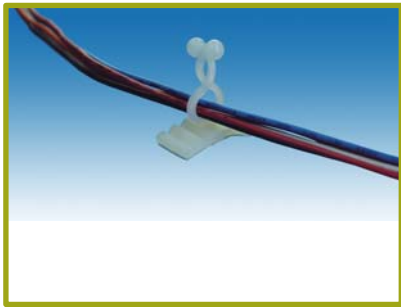


Part	Pack Size
KL-14	500

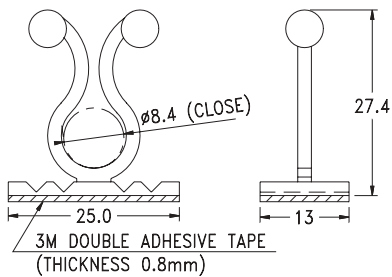


Part	A	B	C	D	Close D	Pack Size
KL-1	32.3	20.0	20.0	15.0	13.8	250
KL-2	26.1	20.0	14.0	9.2	8.5	500
KL-2L	28.0	25.0	13.0	9.4	8.2	500
KL-3	28.1	21.0	19.0	11.1	10.0	500
KL-5	55.8	38.0	20.0	36.0	34.0	100
KL-7	21.9	20.0	13.0	8.5	7.2	500
KL-16	37.1	25.0	13.0	18.0	17.0	250
KL-19	39.2	25.0	13.0	21.0	20.0	250
KL-22	41.3	28.0	15.0	24.0	23.0	250

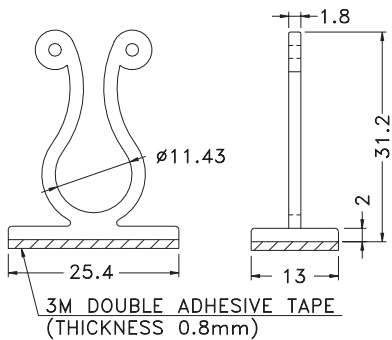
## Wire Holder 15.KLB-1 and KLF-11



- Material: Nylon 66 (UL)
- Flame Class: 94V-2
- Color: Natural
- Unit: mm

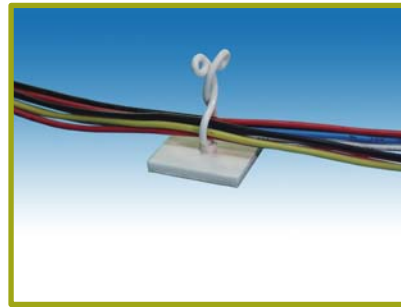


Part	Pack Size
KLB-1	500

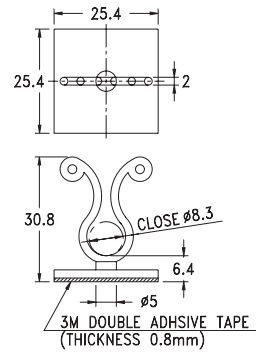


Part	Pack Size
KLF-11	500

## Wire Holder 15.KLS-1

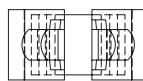
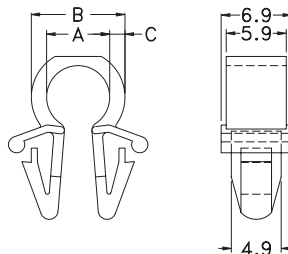


- Material: Nylon 66 (UL)
- Flame Class: 94V-2
- Color: Natural
- Unit: mm



Part	Pack Size
KLS-1	250

## Wire Holder 15.OCC~

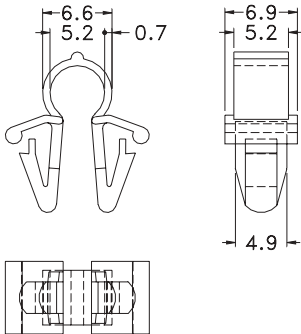


MOUNTING HOLE:  $\phi 6.0$   
THICKNESS: 2.0

- Material: Nylon 66 (UL)
- Flame Class: 94V-2
- Color: Natural
- Unit: mm

Part	A	B	C	Pack Size
OCC-6	6.2	9.2	1.5	500
OCC-8	8.2	11.2	1.5	500
OCC-10	10.2	13.2	1.5	500

## Wire Holder 15.OCC-5

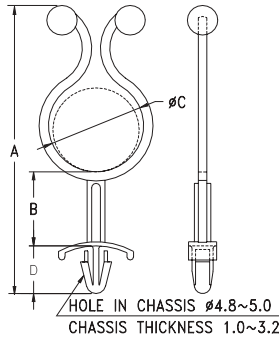
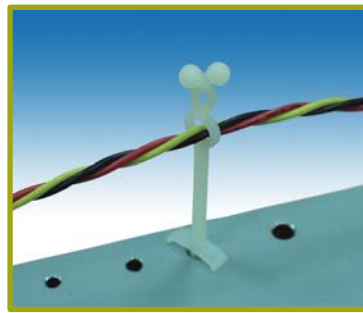


MOUNTING HOLE:  $\varnothing 6.0$   
THICKNESS: 2.0

- Material: Nylon 66 (UL)
- Flame Class: 94V-2
- Color: Natural
- Unit: mm

Part	Pack Size
OCC-5	1000

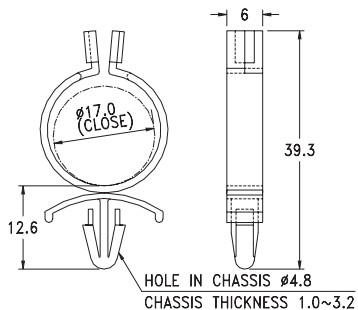
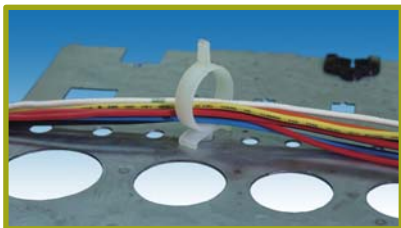
## Wire Holder 15.THA~



- Material: Nylon 66 (UL)
- Flame Class: 94V-2
- Color: Natural
- Unit: mm

Part	A	B	C	D	Close C	Pack Size
THA-1	33.8	3.1	7.1	10.6	6.1	1000
THA-2	51.0	20.0	7.1	10.6	6.1	500
THA-3	66.0	35.3	7.1	10.6	6.1	500
THA-4	39.6	2.8	10.8	10.6	9.8	1000
THA-5	56.8	20.0	10.8	10.6	9.8	500
THA-6	71.5	35.2	10.8	10.6	9.8	500
THA-7	42.0	3.0	15.0	10.6	13.8	1000
THA-8	59.3	20.4	15.0	10.6	13.8	500
THA-9	74.7	35.8	15.0	10.6	13.8	500
THA-10	63.5	16.2	20.0	10.6	18.4	500
THA-11	56.8	3.0	24.3	9.8	22.3	500
THA-12	53.1	15.3	11.0	10.6	9.7	500
THA-13	102.8	60.4	16.0	10.6	14.5	500
THA-14	55.3	5.0	20.3	10.6	18.7	500
THA-15	43.8	10.5	8.0	10.6	6.8	500
THA-16	34.7	5.6	8.8	10.0	7.0	500

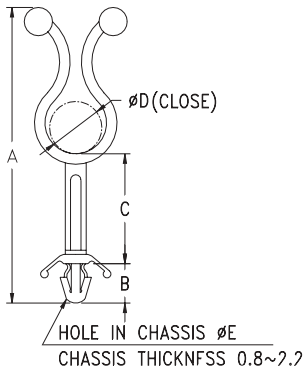
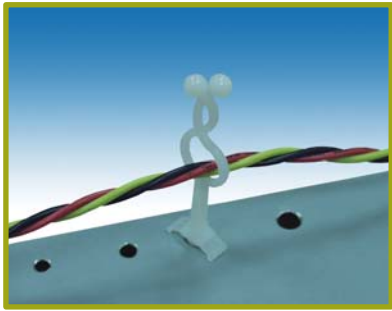
## Wire Holder 15.SLC-17



- Material: Nylon 66 (UL)
- Flame Class: 94V-2
- Color: Natural
- Unit: mm

Part	Pack Size
SLC-17	500

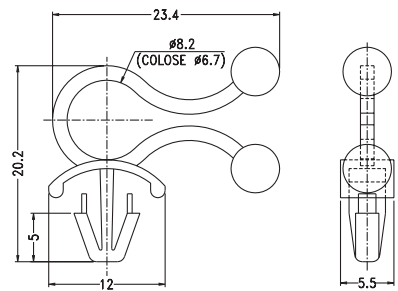
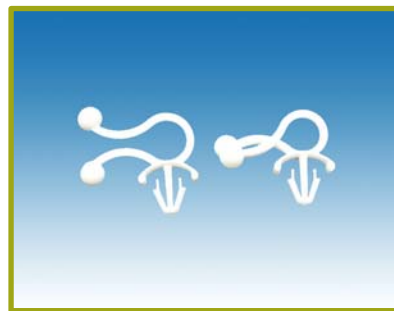
## Wire Holder 15.THC~



- Material: Nylon 66 (UL)
- Flame Class: 94V-2
- Color: Natural
- Unit: mm

Part	A	B	C	D	E	Close D	Pack Size
THC-1	56.5	7.5	21.0	11.8	4.8	10.4	500
THC-2	59.8	7.5	34.0	5.6	4.8	5.0	500
THC-3	37.7	7.5	4.5	12.0	4.8	10.4	1000
THC-1S	26.7	5.5	3.0	8.8	4.0	7.2	1000
THC-4	78.1	7.9	43.5	11.5	4.8	10.1	250

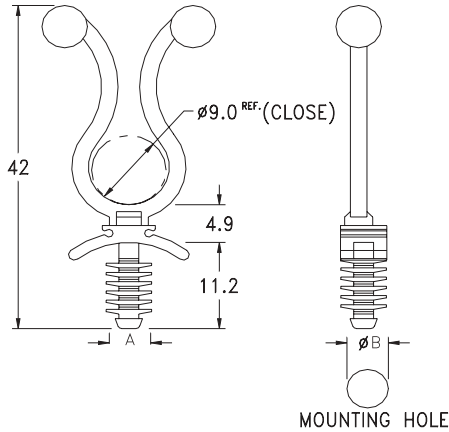
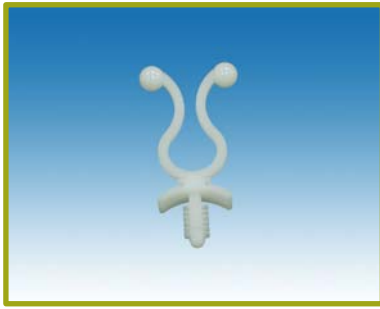
## Wire Holder 15.THH-8



- Material: Nylon 66 (UL)
- Flame Class: 94V-2
- Color: Natural
- Unit: mm

Part	Pack Size
THH-8	500

## Wire Holder 15.WKL~



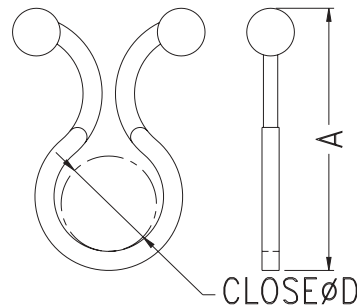
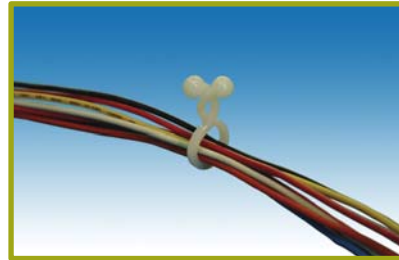
- Material: Nylon 66 (UL)
- Flame Class: 94V-2
- Color: Natural
- Unit: mm

Part	A	B	Pack Size
WKL-10	5.5	5.0	500
WKL-10A	5.0	4.5	500

- Material: Nylon 66 (UL)
- Flame Class: 94V-2
- Color: Natural
- Unit: mm

Part	Pack Size
CH-10	500

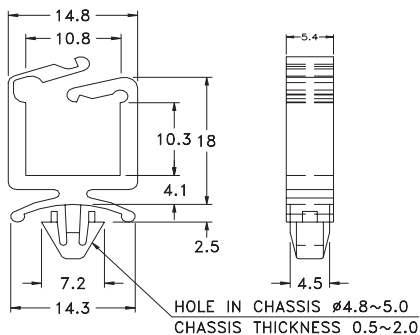
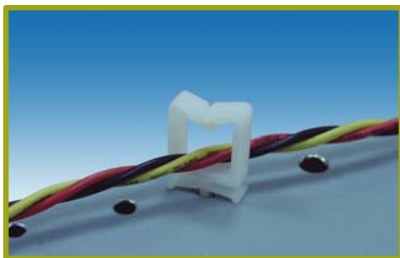
## Wire Lock 15.TL~



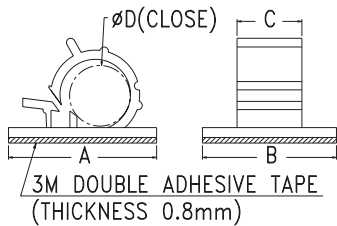
- Material: Nylon 66 (UL)
- Flame Class: 94V-2
- Color: Natural
- Unit: mm

Part	A	D	Close D	Pack Size
TL-1	17.8	5.1	4.0	1000
TL-2	23.8	8.3	7.3	1000
TL-3A	28.0	11.5	10.0	1000
TL-4	30.4	15.4	13.8	1000
TL-5	35.0	18.8	17.2	1000
TL-6	41.4	25.8	24.2	500

## Wire Lock 15.CH-10



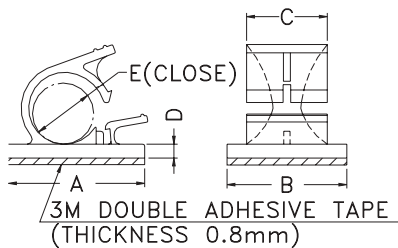
## Wire Lock Mount 15.FWS~



- Material: Nylon 66 (UL)
- Flame Class: 94V-2
- Color: Natural
- Unit: mm

Part	A	B	C	D	Pack Size
FWS-1	21.0	19.0	9.2	8.2	500
FWS-2	25.0	20.0	12.0	9.0	250
FWS-3	25.0	19.7	12.1	10.6	250
FWS-4	29.0	20.0	14.0	12.6	250

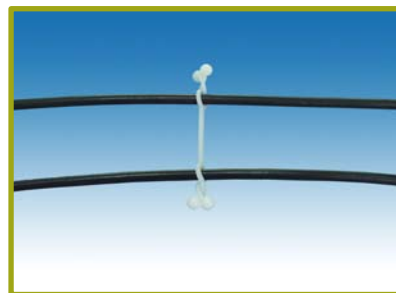
## Wire Lock Mount 15.FWU~



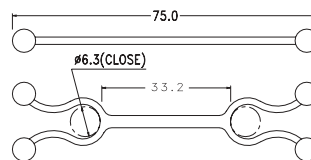
- Material: Nylon 66 (UL)
- Flame Class: 94V-2
- Color: Natural
- Unit: mm

Part	A	B	C	D	E	Pack Size
FWU-1	13.0	10.0	6.8	2.0	4.0	1000
FWU-2	15.0	13.0	9.0	2.0	6.0	1000
FWU-3	21.6	19.0	12.8	2.2	9.0	500
FWU-4	25.0	20.0	13.2	2.2	11.0	250
FWU-5	32.0	25.4	16.0	2.1	13.4	250
FWU-6	35.8	24.8	16.8	2.7	18.0	250

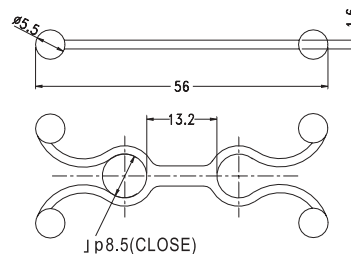
## Wire Lock Spacer 15.2L~



- Material: Nylon 66 (UL)
- Flame Class: 94V-2
- Color: Natural
- Unit: mm

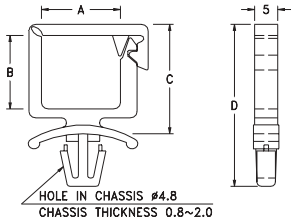
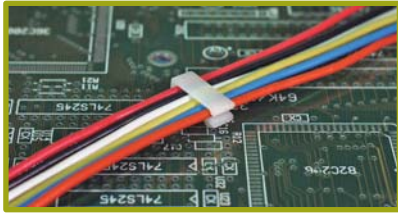


Part	Pack Size
2L-7	500



Part	Pack Size
2L-8	500

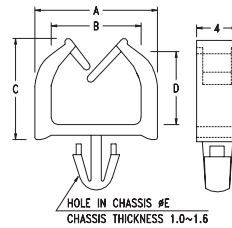
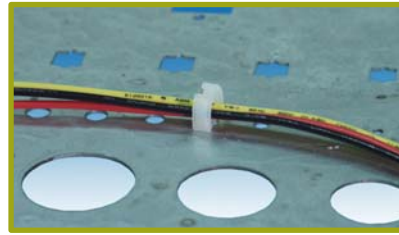
## Wire Mount 15.CH-1



- Material: Nylon 66 (UL)
- Flame Class: 94V-2/94v-0
- Color: Natural
- Unit: mm

Part	A	B	C	D	Pack Size
CH-1	11.0	11.2	16.6	24.0	500

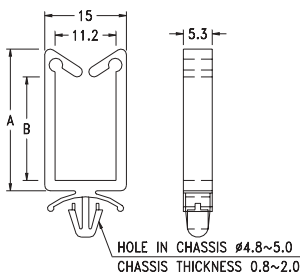
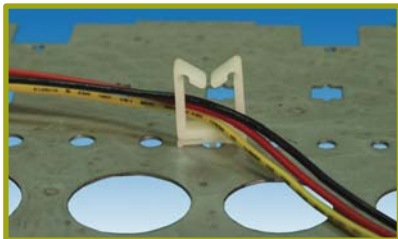
## Wire Mount 15.MWS~



- Material: Nylon 66 (UL)
- Flame Class: 94V-2
- Color: Natural
- Unit: mm

Part	A	B	C	D	E	Pack Size
MWS-6	12.0	8.8	11.5	8.5	3.5	1000
MWS-7	9.2	6.8	7.6	5.0	3.0	2000

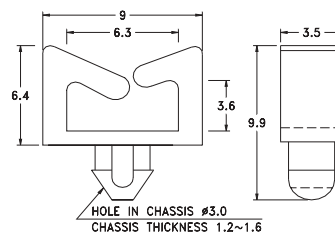
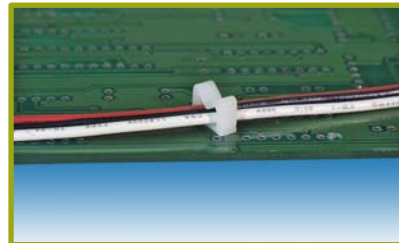
## Wire Mount 15.CHA~



- Material: Nylon 66 (UL)
- Flame Class: 94V-2
- Color: Natural
- Unit: mm

Part	A	B	Pack Size
CHA-1	12.0	5.0	1000
CHA-2	17.0	10.0	500
CHA-3	26.0	19.0	500
CHA-4	34.0	27.0	500

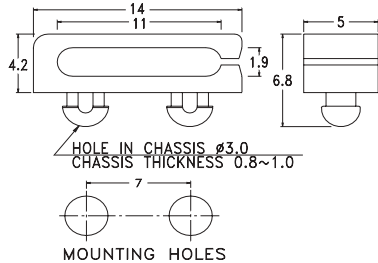
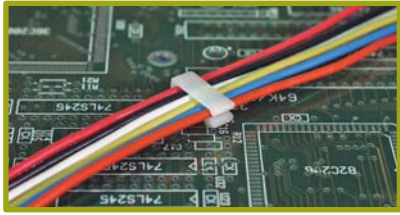
## Wire Mount 15.MWS-1



- Material: Nylon 66 (UL)
- Flame Class: 94V-2
- Color: Natural
- Unit: mm

Part	Pack Size
MWS-1	1000

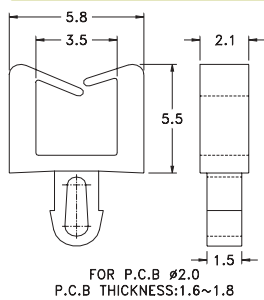
## Wire Mount 15.MWS-4



- Material: Nylon 66 (UL)
- Flame Class: 94V-2
- Color: Natural
- Unit: mm

Part	Pack Size
MWS-4	2000

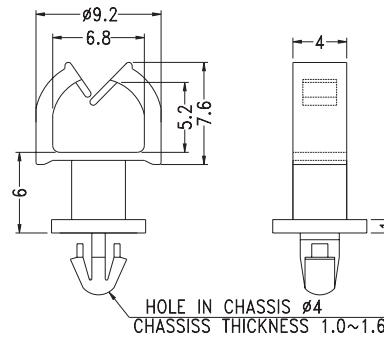
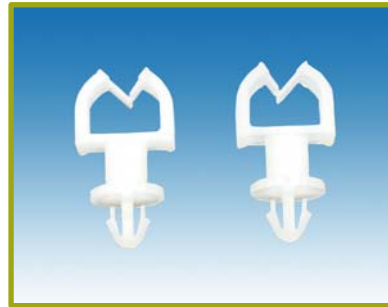
## Wire Mount 15.MWS-8



- Material: Nylon 66 (UL)
- Flame Class: 94V-2
- Color: Natural
- Unit: mm

Part	Pack Size
MWS-8	2000

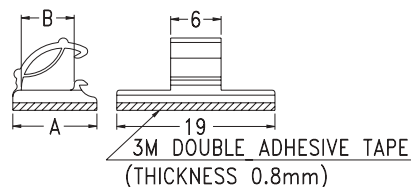
## Wire Mount 15.MWSL-6



- Material: Nylon 66 (UL)
- Flame Class: 94V-2
- Color: Natural
- Unit: mm

Part	Pack Size
MWSL-6	1000

## Wire Mount 15.WCC~

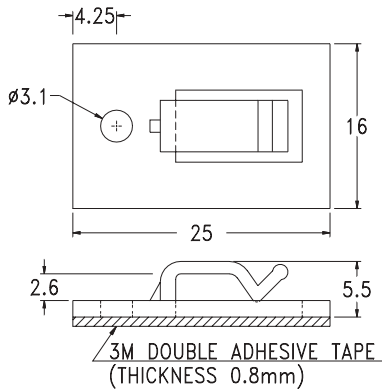
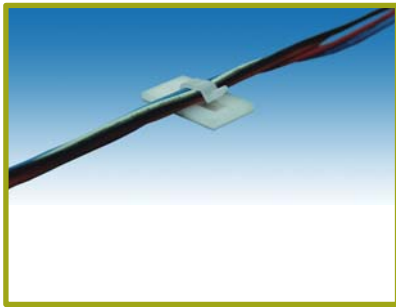


- Material: Nylon 66 (UL)
- Flame Class: 94V-2
- Color: Natural
- Unit: mm

Part	A	B	Pack Size
WCC-1	10.0	6.3	1000
WCC-2	14.0	10.5	500



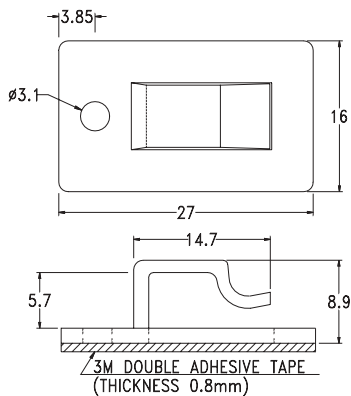
## Wire Mount 15.WCS-1



- Material: Nylon 66 (UL)
- Flame Class: 94V-2
- Color: Natural/Black
- Unit: mm

Part	Pack Size
WCS-1	500

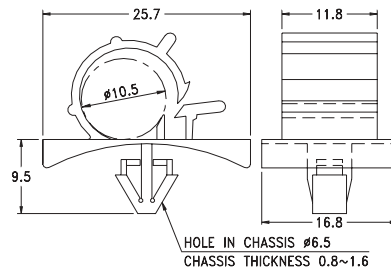
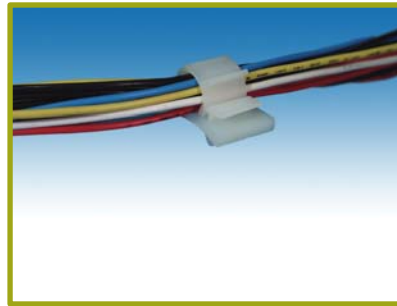
## Wire Mount 15.WCS-2



- Material: Nylon 66 (UL)
- Flame Class: 94V-2
- Color: Natural/Black
- Unit: mm

Part	Pack Size
WCS-2	500

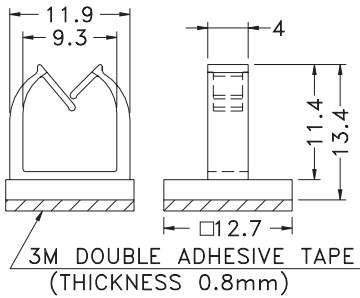
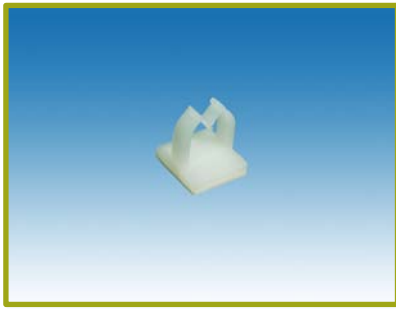
## Wire Mount 15.WL-1



- Material: Nylon 66 (UL)
- Flame Class: 94V-2
- Color: Natural
- Unit: mm

Part	Pack Size
WL-1	500

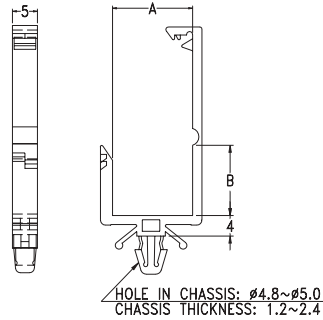
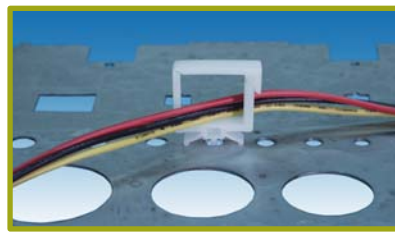
## Wire Mount 15.WLL-3



- Material: Nylon 66 (UL)
- Flame Class: 94V-2
- Color: Natural
- Unit: mm

Part	Pack Size
WLL-3	1000

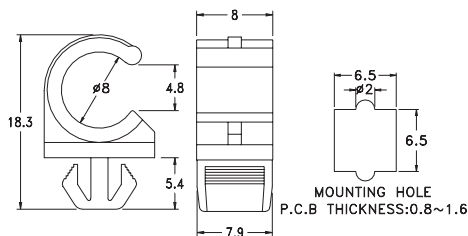
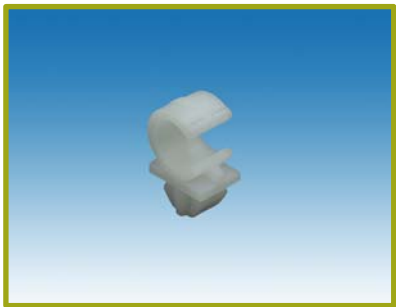
## Wire Saddle 15.CHC~



- Material: Nylon 66 (UL)
- Flame Class: 94V-2
- Color: Natural
- Unit: mm

Part	A	B	Pack Size
CHC-1	16.0	14.0	500
CHC-2	11.1	10.2	500
CHC-3	11.1	5.0	500

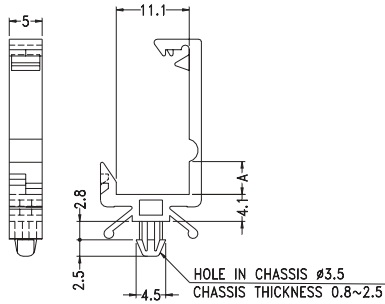
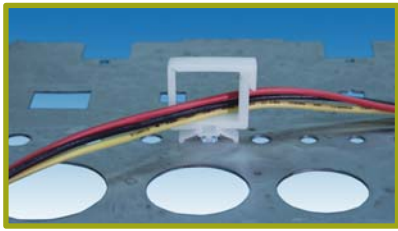
## Wire Saddle 15.CH-9



- Material: Nylon 66 (UL)
- Flame Class: 94V-2
- Color: Natural
- Unit: mm

Part	Pack Size
CH-9	1000

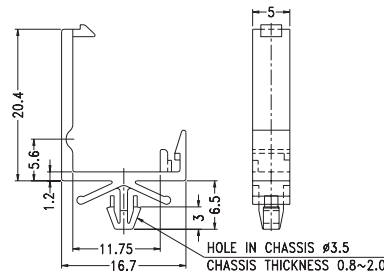
## Wire Saddle 15.CHH~



- Material: Nylon 66 (UL)
- Flame Class: 94V-2
- Color: Natural
- Unit: mm

Part	A	Pack Size
CHH-1	4.9	500
CHH-2	10.1	500

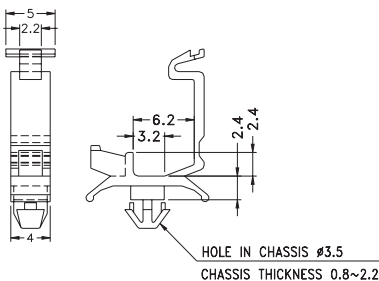
## Wire Saddle 15.CHJ-3



- Material: Nylon 66 (UL)
- Flame Class: 94V-2
- Color: Natural
- Unit: mm

Part	Pack Size
CHJ-3	1000

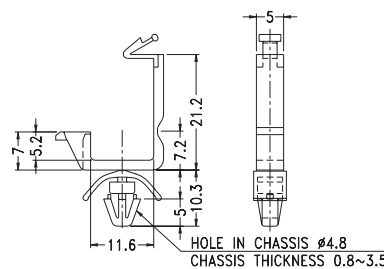
## Wire Saddle 15.CHI-3



- Material: Nylon 66 (UL)
- Flame Class: 94V-2
- Color: Natural
- Unit: mm

Part	Pack Size
CHI-3	1000

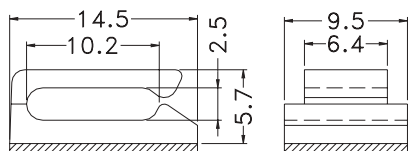
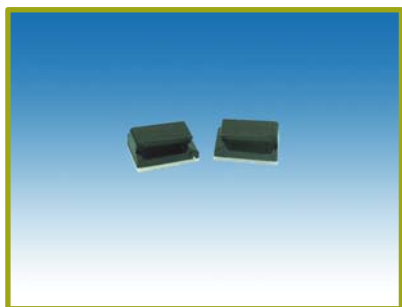
## Wire Saddle 15.CHK-6



- Material: Nylon 66 (UL)
- Flame Class: 94V-2
- Color: Natural
- Unit: mm

Part	Pack Size
CHK-6	1000

## Wire Saddle 15.MWS-2D

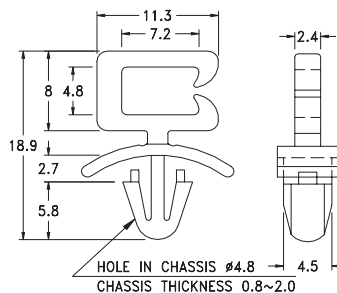


3M DOUBLE ADHESIVE TAPE  
(THICKNESS 0.8mm)

- Material: Nylon 66 (UL)
- Flame Class: 94V-2
- Color: Black/Natural
- Unit: mm

Part	Pack Size
MWS-2D	1000

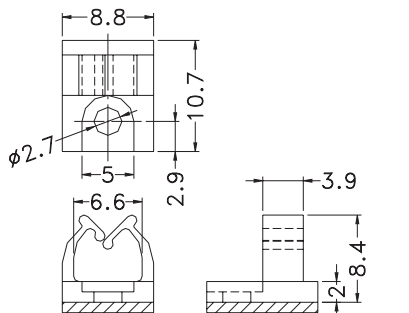
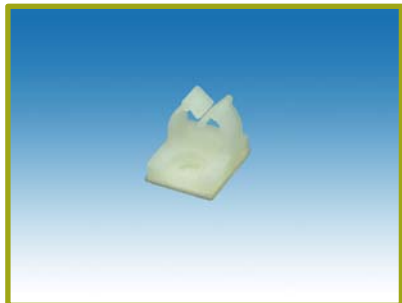
## Wire Saddle 15.WAS-1



- Material: Nylon 66 (UL)
- Flame Class: 94V-2
- Color: Natural
- Unit: mm

Part	Pack Size
WAS-1	1000

## Wire Saddle 15.MWS-9

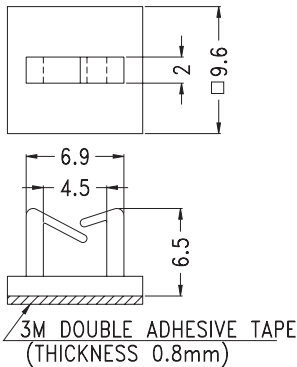
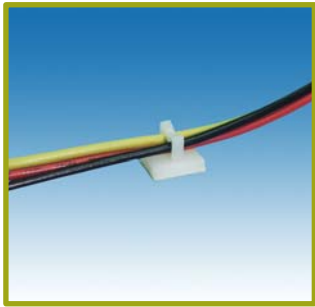


3M DOUBLE ADHESIVE TAPE  
(THICKNESS 0.8mm)

- Material: Nylon 66 (UL)
- Flame Class: 94V-2
- Color: Natural
- Unit: mm

Part	Pack Size
MWS-9	2000

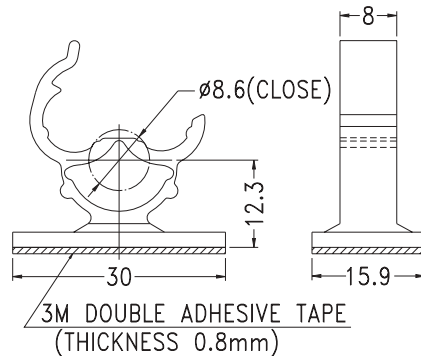
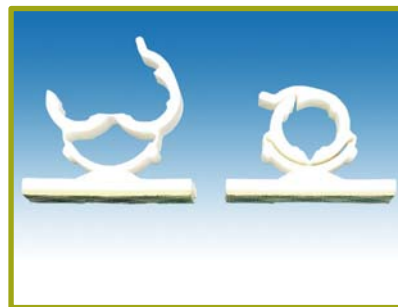
## Wire Saddle 15.WLL-1



- Material: Nylon 66 (UL)
- Flame Class: 94V-2
- Color: Natural
- Unit: mm

Part	Pack Size
WLL-1	1000

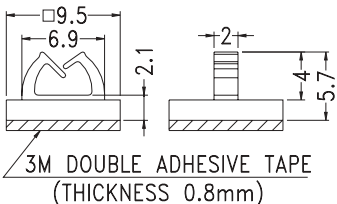
## Wire Saddle 15.WSK-1



- Material: Nylon 66 (UL)
- Flame Class: 94V-2
- Color: White
- Unit: mm

Part	Pack Size
WSK-1	1000

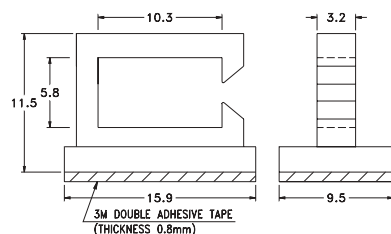
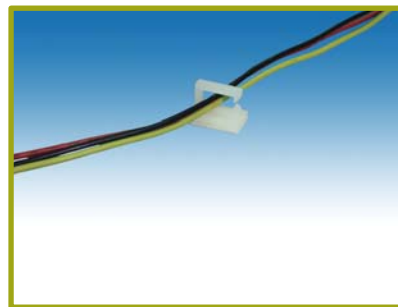
## Wire Saddle 15.WLL-2



- Material: Nylon 66 (UL)
- Flame Class: 94V-2
- Color: Natural
- Unit: mm

Part	Pack Size
WLL-2	1000

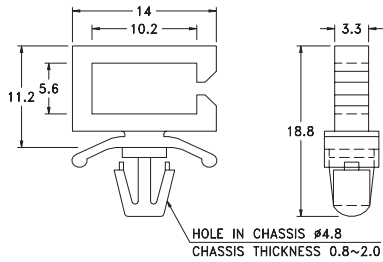
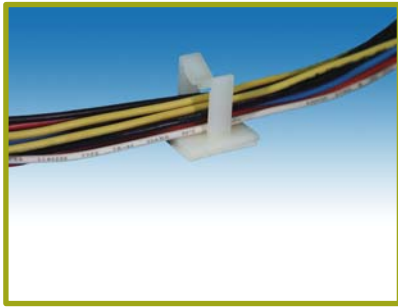
## Wire Saddle 15.WSS-1



- Material: Nylon 66 (UL)
- Flame Class: 94V-2
- Color: Natural
- Unit: mm

Part	Pack Size
WSS-1	1000

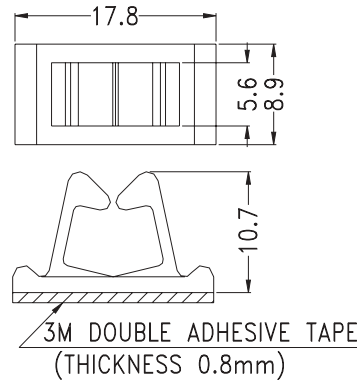
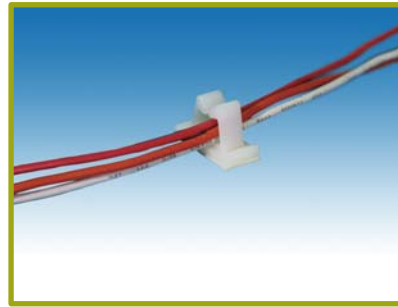
## Wire Saddle 15.WSS-2



- Material: Nylon 66 (UL)
- Flame Class: 94V-2
- Color: Natural
- Unit: mm

Part	Pack Size
WSS-2	1000

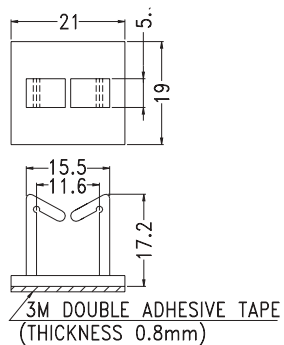
## Wire Saddle 15.WT-2



- Material: Nylon 66 (UL)
- Flame Class: 94V-2
- Color: Natural
- Unit: mm

Part	Pack Size
WT-2	1000

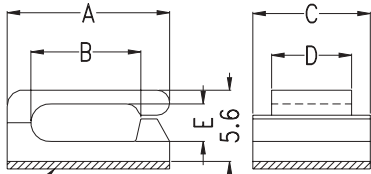
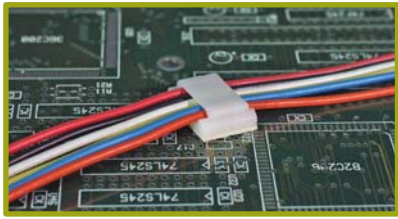
## Wire Saddle 15.WT-1



- Material: Nylon 66 (UL)
- Flame Class: 94V-2
- Color: Natural
- Unit: mm

Part	Pack Size
WT-1	500

## Wire Saddle Side Entry 15.MWS~

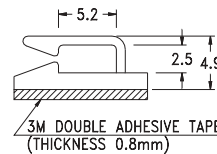
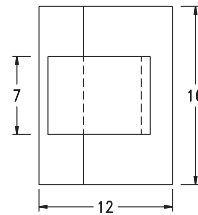


3M DOUBLE ADHESIVE TAPE  
(THICKNESS 0.8mm)

- Material: Nylon 66 (UL)
- Flame Class: 94V-2
- Color: Natural
- Unit: mm

Part	A	B	C	D	E	Pack Size
MWS-2	13.0	8.5	9.2	6.3	3.0	1000
MWS-3	16.0	11.5	13.0	9.0	2.9	1000

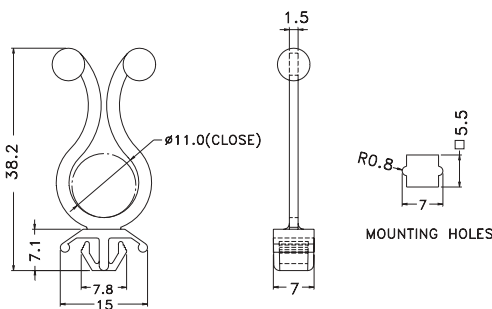
## Wire Saddle Side Entry 15.WC-4



- Material: Nylon 66 (UL)
- Flame Class: 94V-2
- Color: Natural
- Unit: mm

Part	Pack Size
WC-4	1000

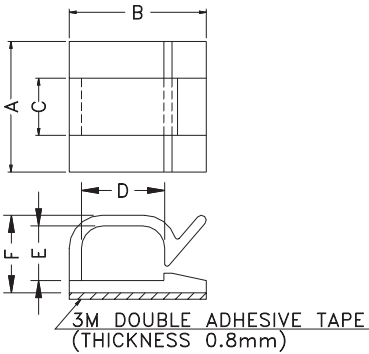
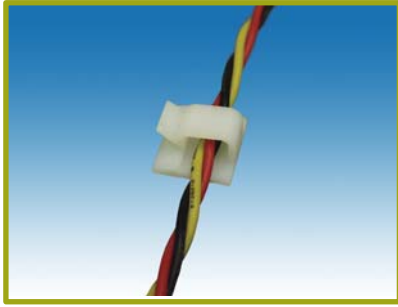
## Wire Saddle Side Entry 15.THG-12



- Material: Nylon 66 (UL)
- Flame Class: 94V-2/94V-0
- Color: Natural
- Unit: mm

Part	Pack Size
THG-12	500

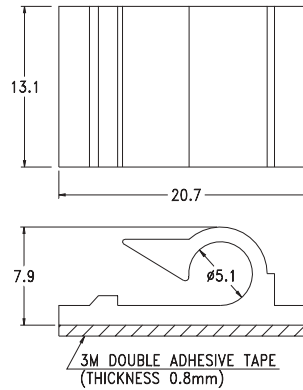
## Wire Saddle Side Entry 15.WCL~



- Material: Nylon 66 (UL)
- Flame Class: 94V-2
- Color: Natural/Black
- Unit: mm

Part	A	B	C	D	E	F	Pack Size
WCL-4	16.0	14.4	7.1	8.2	5.2	8.8	1000
WCL-5	16.0	16.8	7.0	10.2	6.7	9.5	500
WCL-6	19.0	19.0	9.7	12.5	8.1	11.0	500
WCL-7	19.0	20.8	9.0	13.6	8.2	11.3	500

## Wire Saddle Side Entry 15.WCL-1

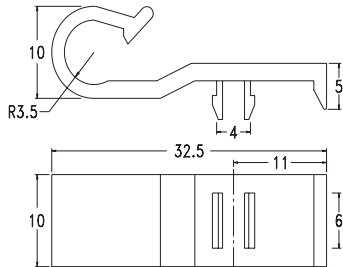


- Material: Nylon 66 (UL)
- Flame Class: 94V-2
- Color: Natural
- Unit: mm

Part	Pack Size
WCL-1	500



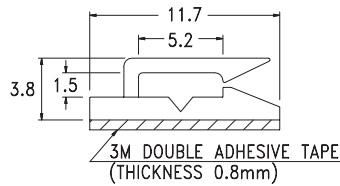
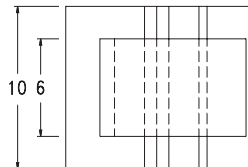
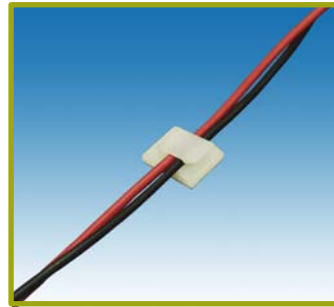
## Wire Saddle Side Entry 15.WCL-2



- Material: Nylon 66 (UL)
- Flame Class: 94V-2
- Color: Natural
- Unit: mm

Part	Pack Size
WCL-2	500

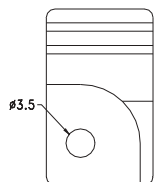
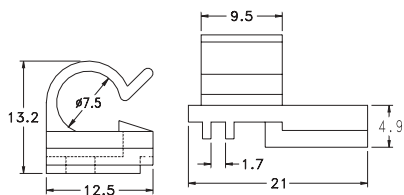
## Wire Saddle Side Entry 15.WCLA-1



- Material: Nylon 66 (UL)
- Flame Class: 94V-2
- Color: Natural
- Unit: mm

Part	Pack Size
WCLA-1	1000

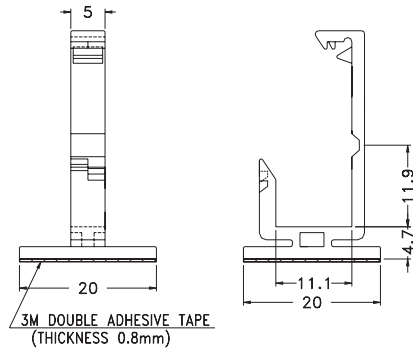
## Wire Saddle Side Entry 15.WCL-3



- Material: Nylon 66 (UL)
- Flame Class: 94V-2
- Color: Natural
- Unit: mm

Part	Pack Size
WCL-3	500

## Wire Saddle Side Entry 15.WLN-2



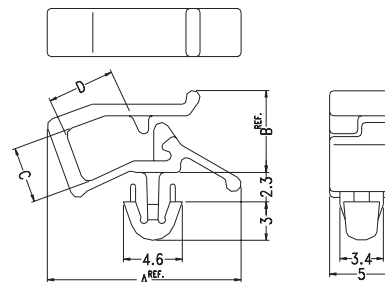
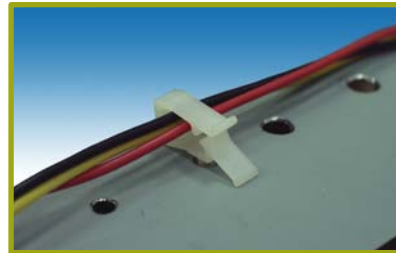
- Material: Nylon 66 (UL)
- Flame Class: 94V-2
- Color: Natural
- Unit: mm

Part	Pack Size
WCL-1	500

- Material: Nylon 66 (UL)
- Flame Class: 94V-2
- Color: Natural/Grey
- Unit: mm

Part	Pack Size
WPEG-1	1000

## Wire Saddle Side Entry 15.WPEM~

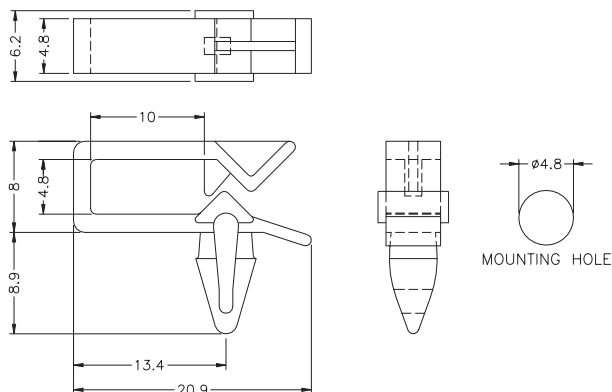


HOLE IN CHASSIS:  $\phi 3.5$   
P.C.B THICKNESS: 0.5~1.6

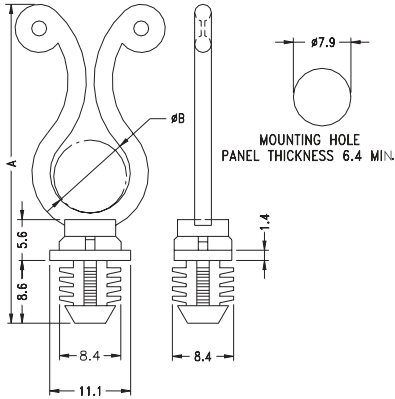
- Material: Nylon 66 (UL)
- Flame Class: 94V-2
- Color: Natural
- Unit: mm

Part	A	B	C	D	Pack Size
WPEM-1	20.3	8.5	6.2	7.2	1000
WPEM-1S	15.2	6.4	4.3	5.3	1000

## Wire Saddle Side Entry 15.WPEG-1



## Wire Saddle Side Entry 15.WTL~



- Material: Nylon 66 (UL)
- Flame Class: 94V-2
- Color: Natural
- Unit: mm

Part	A	B	$\phi B$ (Close)	Pack Size
WTL-11	43.7	11.0	10.0	500
WTL-19	52.6	19.0	18.0	500