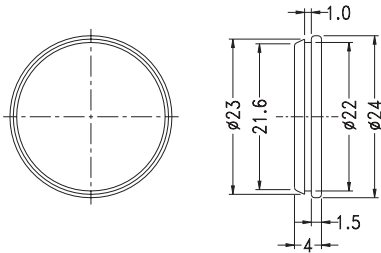


Hole Plug 15.CDELT-1



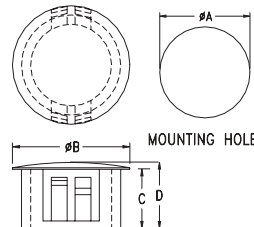
- Material: TPE
- Color: White
- Unit: mm

Part	A	B	C	D	Max Thickness	Pack Size
M09S	13.0	5.5	4.1	9.5	1.4	1000
M16S	20.0	7.7	6.5	15.9 ~16	2.0	1000

- Material: Nylon 66 (UL)
- Flame Class: 94 V-2
- Color: Black
- Unit: mm

Part	A	B	C	D	Max Thickness	Pack Size
M09S	13.0	5.5	4.1	9.5	1.4	1000
M16S	20.0	7.7	6.5	15.9 ~16	2.0	1000

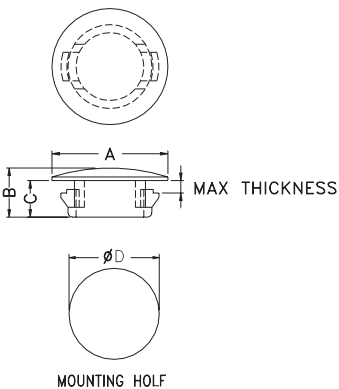
Hole Plug 15.M~



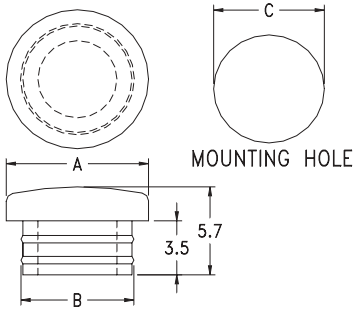
- Material: Nylon 66 (UL)
- Flame Class: 94 V-2
- Color: Black/White
- Unit: mm

Part	A	B	C	D	Max Thickness	Pack Size
M08	8.0	9.5	6.4	7.6	1.6	1000
M09	9.5	11.9	8.6	10.1	3.3	500
M13	12.7	14.6	9.0	10.1	3.3	500
M16	16.0	18.7	9.3	10.6	3.3	500
M19	19.0	23.2	8.7	10.3	3.3	500
M22	22.2	25.2	9.7	10.9	3.3	500
M25	25.4	28.4	9.6	11.0	3.3	200
M30	30.2	34.2	10.0	11.3	3.3	200

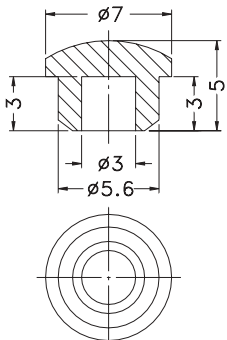
Hole Plug 15.M~



Hole Plug 15.MHD~



- Material: TPE
- Color: Black/Transparent
- Unit: mm

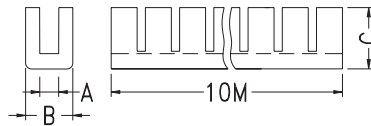


MHD-5.5

- MHD-5.5 Material: Silicon Rubber
- MHD-5.5 Color: Black/Beige/Blue
- Unit: mm

Part	A	B	C	Pack Size
MHD-5	7.0	5.2	5.0	1000
MHD-6	8.0	6.2	6.0	1000
MHD-7	9.0	7.2	7.0	1000
MHD-8	10.0	8.2	8.0	1000

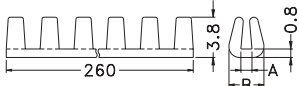
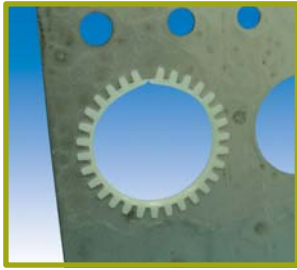
Moveable Bushing 15.KG-0~



- Material: PE
- Color: Natural
- Unit: mm

Part	A	B	C	Chassis Thickness	Pack Size
KG-010	1.0	4.0	5.2	1.0 and less	10M
KG-012	1.4	4.0	5.1	1.0 ~ 1.4	10M
KG-016	1.6	4.5	5.2	1.0 ~ 1.5	10M
KG-016S	1.6	4.5	5.3	1.0 ~ 1.6	10M
KG-016C	1.9	4.6	5.4	1.0 ~ 1.6	10M
KG-020	2.0	5.0	5.3	1.6 ~ 2.0	10M
KG-024	2.4	5.2	5.2	2.0 ~ 2.4	10M
KG-030	3.0	6.0	5.3	2.4 ~ 3.0	10M
KG-040	4.0	7.2	6.5	3.0 ~ 3.6	10M

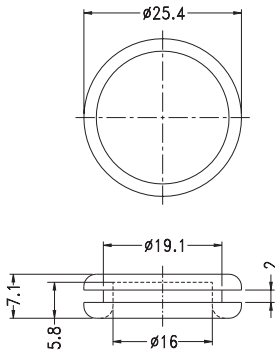
Moveable Bushing 15.KG-0~N



- Material: Nylon 66 (UL)
- Flame Class: 94 V-2
- Color: Natural
- Unit: mm

Part	A	B	Chassis Thickness	Pack Size
KG-008N	0.8	3.1	0.7 ~ 0.9	500
KG-010N	1.0	3.3	0.9 ~ 1.1	500
KG-012N	1.2	3.5	1.1 ~ 1.3	500
KG-016N	1.6	3.9	1.4 ~ 1.7	500
KG-020N	2.0	4.3	1.8 ~ 2.0	500
KG-030N	3.0	6.2	2.5 ~ 3.0	500

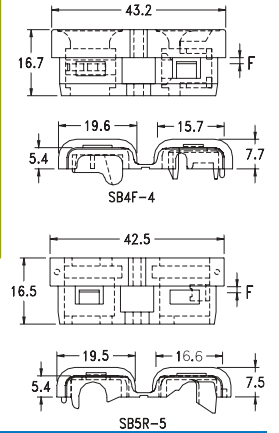
Rubber Plug 15.DGB-19



- Material: Nylon 66 (UL)
- Flame Class: 94V-2
- Color: Black/White
- Unit: mm

Part	Pack Size
DBG-19	1000

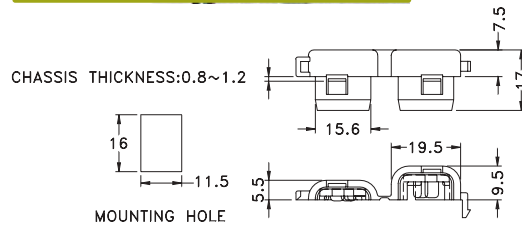
Square Strain Relief Bushing 15.SB~



- Material: Nylon 66 (UL)
- Flame Class: 94V-2
- Color: Black
- Unit: mm

Part	Will Fit These Cables		Chassis Thickness F	Pack Size
	UL/CSA Description	Size		
SB4F-4	SPT-1, SPT-2	3x5.6, 3.71x7.6	0.8 ~ 1.2	250
SB5R-5	SVT3C#18	6.6 ~ 7.2	0.8 ~ 1.2	250

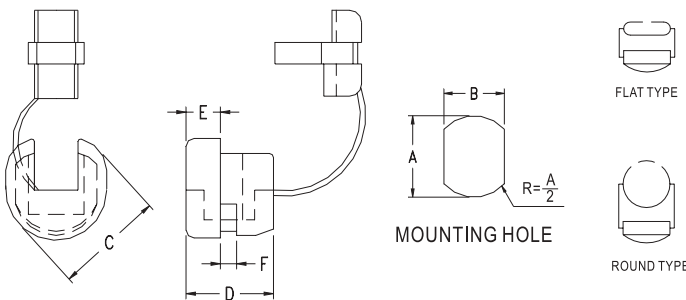
Square Strain Relief Bushing 15.SB4F-6



- Material: Nylon 66 (UL)
- Flame Class: 94V-2
- Color: Black
- Unit: mm

Part	Will Fit These Cables		Pack Size
	UL/CSA Description	Size	
SB4F-6	SPT-1, SPT-2	3x5.6, 3.71x7.6	1000

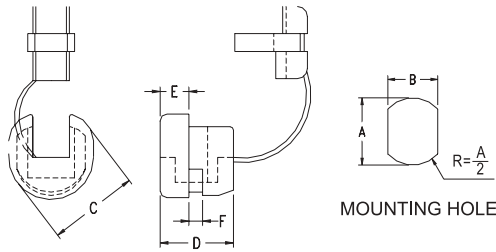
Strain Relief Bushing 15.2~ to 15.7~



- Material: Nylon 66 (UL)
- Flame Class: 94V-2
- Color: Black
- Unit: mm

Part	Will Fit These Cables		Chassis Dimension		Chassis Thickness	Dimension			Section Shape	Pack Size
	UL/CSA Description	Size	A	B	F	C	D	E		
2B-2	SPT-1	2.8X5.6	9.9	8.8	0.8 ~ 3.2	11.1	10.7	4.0	Flat Type	1000
2P-4	SPT-1	3X5.6	9.5	8.7	0.8 ~ 1.6	10.8	10.4	4.0	Flat Type	1000
3P-4	SPT-1	3X5.6	11.0	9.9	1.9 ~ 2.5	12.5	10.4	3.2	Flat Type	1000
3W-1	SPT-1	3X5.6	11.0	9.9	1.9 ~ 2.5	12.5	10.4	3.2	Flat Type	1000
4N-4	SPT-2	3.71X7.6	12.7	11.8	0.8 ~ 1.6	13.9	10.4	4.0	Flat Type	1000
		3.8X7.6	13.1							
4K-4	SPT-2	3.71X7.6	12.7	11.8	1.9 ~ 2.5	13.9	10.5	4.0	Flat Type	1000
		3.8X7.6	13.1							
5N-4	SVT	∅ 6.4 ~ 7.4	12.7	11.5	0.8 ~ 1.6	14.2	10.9	4.2	Round Type	1000
5P-4	SVT	∅ 6.4 ~ 7.4	12.7	11.5	1.9 ~ 2.5	14.2	10.9	4.2	Round Type	1000
6N-4	SJT3C#18	∅ 7.6	15.9	14.0	0.8 ~ 1.6	17.8	14.8	5.6	Round Type	500
6P-4	SJT3C#18	∅ 7.6	15.9	14.0	1.9 ~ 2.5	17.6	14.8	5.6	Round Type	500
6N3-4	SJT3C#16	∅ 8.2 ~ 9.2	15.9	14.0	0.8 ~ 1.6	17.8	15.0	5.6	Round Type	500
6P3-4	SJT3C#16	∅ 8.2 ~ 9.2	15.9	14.0	1.9 ~ 3.2	17.3	14.8	5.8	Round Type	500
7N-2	SJT3C#14	∅ 9.2 ~ 10.5	19.0	16.5	0.8 ~ 1.6	21.5	19.1	7.8	Round Type	100
		∅ 11.0	19.8							
7P-2	SJT3C#14	∅ 9.2 ~ 10.5	19.0	16.5	1.9 ~ 3.2	21.7	19.4	7.8	Round Type	100
		∅ 11.0	19.8							

Strain Relief Bushing 15.SB~



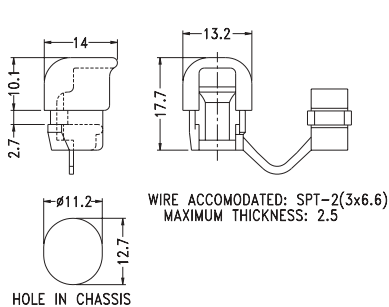
- Material: Nylon 66 (UL)
- Flame Class: 94V-2
- Color: Black
- Unit: mm

Part	Will Fit These Cables		Chassis Dimension		Chassis Thickness	Dimension			Pack Size
	UL/CSA Description	Size	A	B	F	C	D	E	
SB4F-2	SPT-2	4.1x8.6	12.7	11.8	1.8 ~ 2.5	14.5	12.4	4.0	500
SB5R-2	SJT3C#16	∅ 8.2 ~ 9.2	12.7	11.5	0.8 ~ 1.6	14.0	11.1	4.5	500
SB5F-4	SPT-3	5.0x10.0	14.3	13.4	0.8 ~ 1.6	15.4	15.4	6.2	250
SB6R-6	SJT3C#16	∅ 8.2 ~ 9.2	15.9	14.0	0.8 ~ 1.6	17.7	14.6	5.6	250
SB8R-2	SJT3C#14	∅ 12 ~ 15.2	22.0	21.7	1.8 ~ 2.5	23.6	20.5	8.4	100
	#18 24 ~ 30 pces								

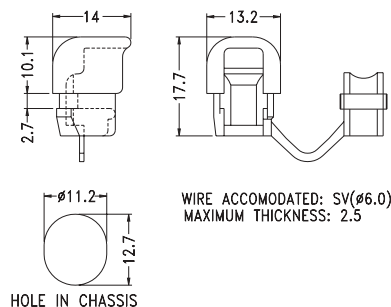
Strain Relief Bushing 15.SB~



- Material: Nylon 66 (UL)
- Flame Class: 94V-2
- Color: Black
- Unit: mm

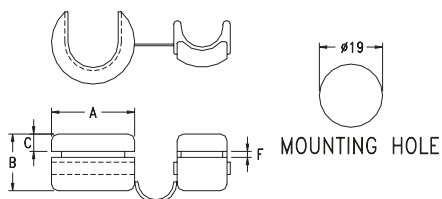


Part	Pack Size
SB4L-4	1000



Part	Pack Size
SB5L-4	1000

Switch Power Bushing 15.SB7R~



- Material: Nylon 66 (UL)
- Flame Class: 94V-2
- Color: Black
- Unit: mm

Part	Will Fit These Cables		Chassis Thickness	Dimension			Pack Size
	UL/CSA Description	Size		A	B	C	
SB7R-7	SJT3C#10	14.0 ~ 17.0	0.8 ~ 1.6	25.0	17.0	4.5	1000
SB7R-7SP	SJT3C#10	12.0 ~ 15.2	0.8 ~ 1.6	25.3	17.8	4.5	1000